

Totally Logical

Z8E001

FEATURE-RICH Z8PLUS ONE-TIME PROGRAMMABLE (OTP) MICROCONTROLLER

FEATURES

Part Number	ROM (KB)	RAM* (Bytes)	Speed (MHz)
Z8E001	1	64	10

Note: * General-Purpose

Microcontroller Core Features

- All Instructions Execute in one 1 μ s Instruction Cycle with a 10 MHz Crystal
- 1K x 8 On-Chip OTP EPROM Memory
- 64 x 8 General-Purpose Registers (SRAM)
- Six Vectored Interrupts with Fixed Priority
- Operating Speed: DC–10 MHz
- Six Addressing Modes: R, IR, X, D, RA, & IM

Peripheral Features

- 13 Total Input/Output Pins
- One 8-Bit I/O Port (Port A)
 - I/O Bit Programmable
 - Each Bit Programmable as Push-Pull or Open-Drain
- One 5-Bit I/O Port (Port B)
 - I/O Bit Programmable

- Includes Special Functionality: Stop-Mode Recovery Input, Comparator Inputs, Selectable Edge Interrupts, and Timer Output

- One Analog Comparator
- 16-Bit Programmable Watch-Dog Timer (WDT)
- Software Programmable Timers Configurable as:
 - Two 8-Bit Standard Timers and One 16-Bit Standard Timer, or
 - One 16-Bit Standard Timer and One 16-Bit Pulse Width Modulator (PWM) Timer

Additional Features

- On-Chip Oscillator that accepts an XTAL, Ceramic Resonator, LC, or External Clock
- Programmable Options:
 - EPROM Protect
- Power Reduction Modes:
 - HALT Mode with Peripheral Units Active
 - STOP Mode with all Functionality Shut Down

CMOS/Technology Features

- Low-Power Consumption
- 3.5V to 5.5V Operating Range @ 0°C to +70°C
4.5V to 5.5V Operating Range @ –40°C to +105°C
- 18-Pin DIP, SOIC, and 20-Pin SSOP Packages.

GENERAL DESCRIPTION

Allowing easy software development, debug, and prototyping, ZiLOG's new Z8E001 Microcontroller (MCU) offers a cost-effective One-Time Programmable (OTP) solution to its single-chip Z8Plus MCU family.

For applications demanding powerful I/O capabilities, the Z8E001's dedicated input and output lines are grouped into two ports, and are configurable under software control.

Both 8-bit and 16-bit on-chip timers, with a large number of user-selectable modes, offload the system of administer-

GENERAL DESCRIPTION (Continued)

ing real-time tasks such as counting/timing and I/O data communications.

Power connections follow conventional descriptions below:

Note: All signals with an overline, “ $\bar{}$ ”, are active Low. For example, B/W (WORD is active Low, only); B/W (BYTE is active Low, only).

Connection	Circuit	Device
Power	V _{CC}	V _{DD}
Ground	GND	V _{SS}

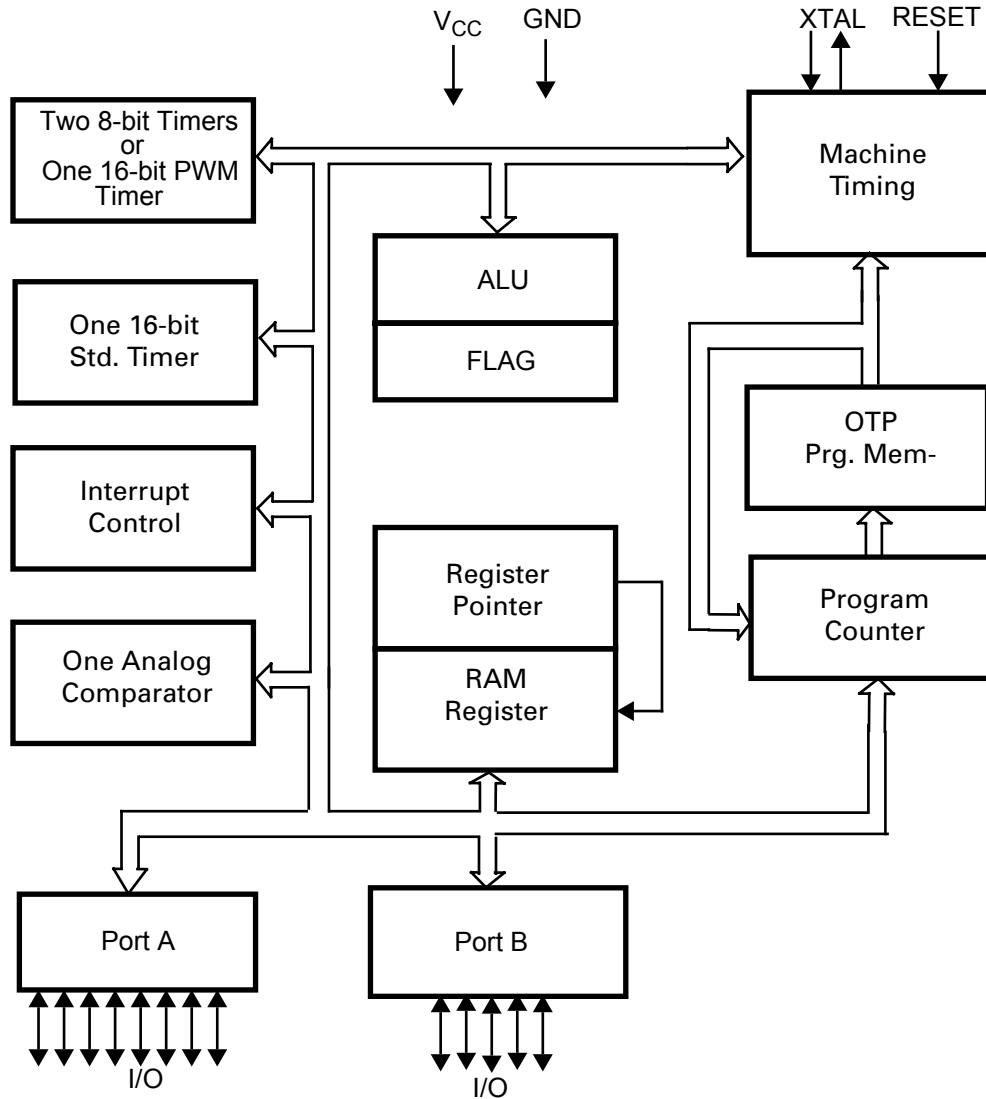


Figure 1. Functional Block Diagram

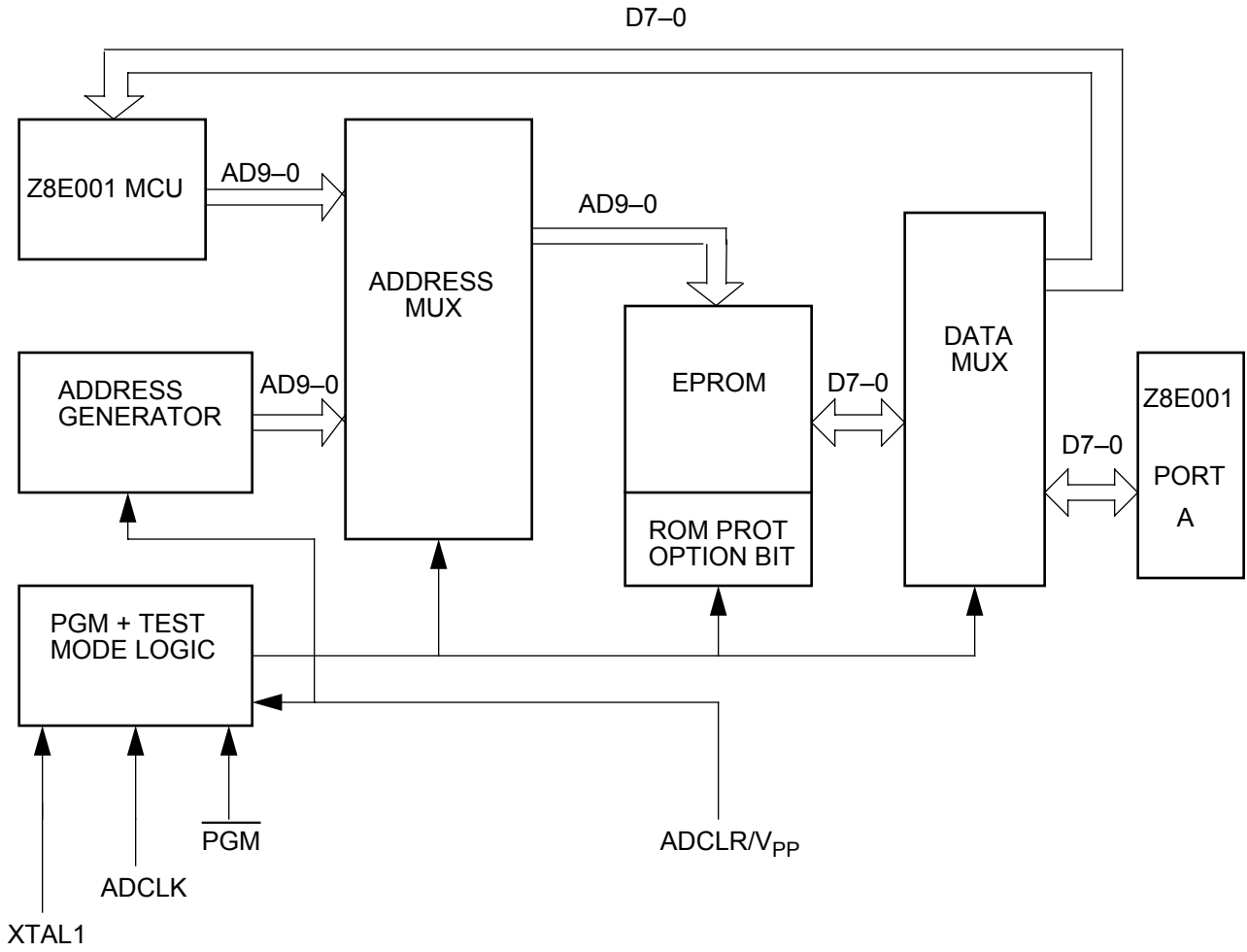


Figure 2. EPROM Programming Mode Block Diagram

PIN DESCRIPTION

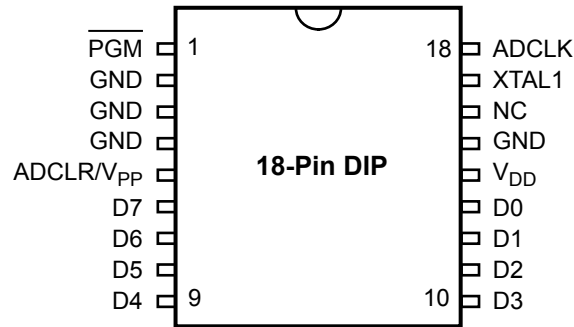


Figure 3. 18-Pin DIP/SOIC Pin Identification/EPROM Programming Mode

EPROM Programming Mode

Pin #	Symbol	Function	Direction
1	PGM	Prog Mode	Input
2-4	GND	Ground	
5	ADCLR/V _{PP}	Clear Clk./Prog Volt.	Input
6-9	D7-D4	Data 7,6,5,4	Input/Output
10-13	D3-D0	Data 3,2,1,0	Input/Output
14	V _{DD}	Power Supply	
15	GND	Ground	
16	NC	No Connection	
17	XTAL1	1MHz Clock	Input
18	ADCLK	Address Clock	Input

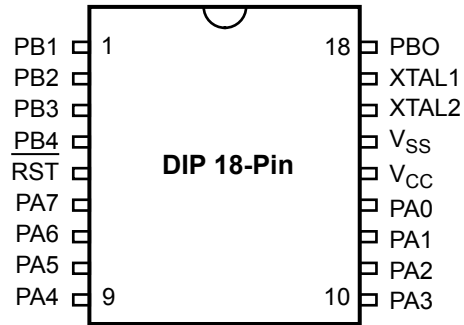


Figure 4. 18-Pin DIP/SOIC Pin Identification

Standard Mode

Pin #	Symbol	Function	Direction
1–4	PB1–PB4	Port B, Pins 1,2,3,4	Input/Output
5	RESET	Reset	Input
6-9	PA7–PA4	Port A, Pins 7,6,5,4	Input/Output
10–13	PA3–PA0	Port A, Pins 3,2,1,0	Input/Output
14	V _{CC}	Power Supply	
15	V _{SS}	Ground	
16	XTAL2	Crystal Osc. Clock	Output
17	XTAL1	Crystal Osc. Clock	Input
18	PB0	Port B, Pin 0	Input/Output

PIN DESCRIPTION (Continued)

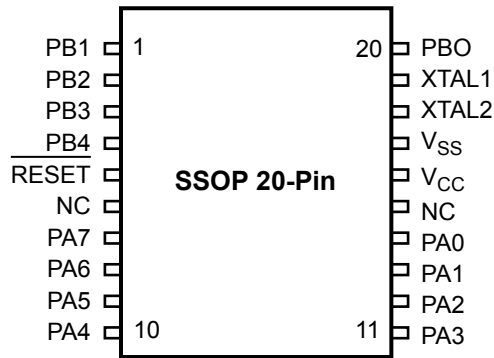


Figure 5. 20-Pin SSOP Pin Identification

Standard Mode

Pin #	Symbol	Function	Direction
1–4	PB1–PB4	Port B, Pins 1,2,3,4	Input/Output
5	RESET	Reset	Input
6	NC	No Connection	
7–10	PA7–PA4	Port A, Pins 7,6,5,4	Input/Output
11–14	PA3–PA0	Port A, Pins 3,2,1,0	Input/Output
15	NC	No Connection	
16	V _{CC}	Power Supply	
17	V _{SS}	Ground	
18	XTAL2	Crystal Osc. Clock	Output
19	XTAL1	Crystal Osc. Clock	Input
20	PB0	Port B, Pin 0	Input/Output

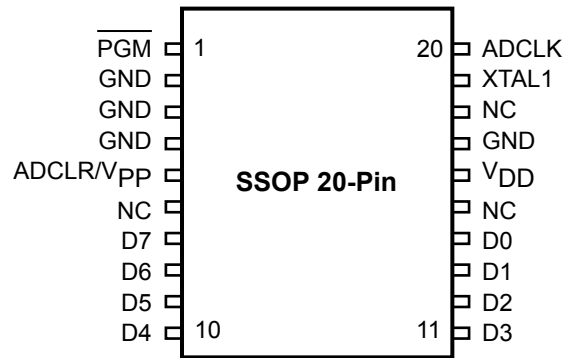


Figure 6. 20-Pin SSOP Pin Identification/EPROM Programming Mode

EPROM Programming Mode

Pin #	Symbol	Function	Direction
1	PGM	Prog Mode	Input
2-4	GND	Ground	
5	ADCLR/V _{PP}	Clear Clk./Prog Volt.	Input
6	NC	No Connection	
7-10	D7-D4	Data 7,6,5,4	Input/Output
11-14	D3-D0	Data 3,2,1,0	Input/Output
15	NC	No Connection	
16	V _{DD}	Power Supply	
17	GND	Ground	
18	NC	No Connection	
19	XTAL1	1MHz Clock	Input
20	ADCLK	Address Clock	Input

ABSOLUTE MAXIMUM RATINGS

Parameter	Min	Max	Units	Note
Ambient Temperature under Bias	-40	+105	C	
Storage Temperature	-65	+150	C	
Voltage on any Pin with Respect to V_{SS}	-0.6	+7	V	1
Voltage on V_{DD} Pin with Respect to V_{SS}	-0.3	+7	V	
Voltage on RESET Pin with Respect to V_{SS}	-0.6	$V_{DD}+1$	V	2
Total Power Dissipation		880	mW	
Maximum Allowable Current out of V_{SS}		80	mA	
Maximum Allowable Current into V_{DD}		80	mA	
Maximum Allowable Current into an Input Pin	-600	+600	mA	3
Maximum Allowable Current into an Open-Drain Pin	-600	+600	mA	4
Maximum Allowable Output Current Sunk by Any I/O Pin		25	mA	
Maximum Allowable Output Current Sourced by Any I/O Pin		25	mA	
Maximum Allowable Output Current Sunk by Port A		40	mA	
Maximum Allowable Output Current Sourced by Port A		40	mA	
Maximum Allowable Output Current Sunk by Port B		40	mA	
Maximum Allowable Output Current Sourced by Port B		40	mA	

Notes:

1. Applies to all pins except the $\overline{\text{RESET}}$ pin and where otherwise noted.
2. There is no input protection diode from pin to V_{DD} .
3. Excludes XTAL pins.
4. Device pin is not at an output Low state.

Stresses greater than those listed under Absolute Maximum Ratings can cause permanent damage to the device. This rating is a stress rating only. Functional operation of the device at any condition above those indicated in the operational sections of these specifications is not implied. Exposure to absolute maximum rating conditions for an extended period can affect device reliability. Total power dissipation should

not exceed 880 mW for the package. Power dissipation is calculated as follows:

$$\begin{aligned} \text{Total Power Dissipation} = & V_{DD} \times [I_{DD} - (\text{sum of } I_{OH})] \\ & + \text{sum of } [(V_{DD} - V_{OH}) \times I_{OH}] \\ & + \text{sum of } (V_{OL} \times I_{OL}) \end{aligned}$$

STANDARD TEST CONDITIONS

The characteristics listed below apply for standard test conditions as noted. All voltages are referenced to Ground. Positive current flows into the referenced pin (Figure 7).

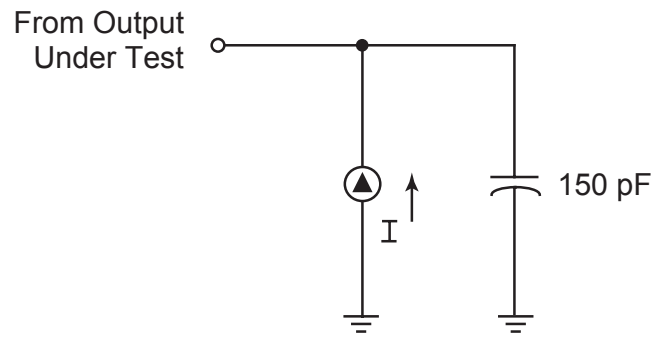


Figure 7. Test Load Diagram

CAPACITANCE

$T_A = 25^\circ\text{C}$, $V_{CC} = \text{GND} = 0\text{V}$, $f = 1.0\text{ MHz}$, unmeasured pins returned to GND.

Parameter	Min	Max
Input capacitance	0	12 pF
Output capacitance	0	12 pF
I/O capacitance	0	12 pF

DC ELECTRICAL CHARACTERISTICS

Table 1. DC Electrical Characteristics

Sym	Parameter	pF $T_A = 0^\circ\text{C}$ to $+70^\circ\text{C}$ Standard Temperatures				Typical ² @ 25°C	Units	Conditions	Notes
		V_{CC}^1	Min	Max					
V_{CH}	Clock Input High Voltage	3.5V	$0.7V_{CC}$	$V_{CC}+0.3$	1.3	V	Driven by External Clock Generator		
		5.5V	$0.7V_{CC}$	$V_{CC}+0.3$	2.5	V	Driven by External Clock Generator		
V_{CL}	Clock Input Low Voltage	3.5V	$V_{SS}-0.3$	$0.2V_{CC}$	0.7	V	Driven by External Clock Generator		
		5.5V	$V_{SS}-0.3$	$0.2V_{CC}$	1.5	V	Driven by External Clock Generator		
V_{IH}	Input High Voltage	3.5V	$0.7V_{CC}$	$V_{CC}+0.3$	1.3	V			
		5.5V	$0.7V_{CC}$	$V_{CC}+0.3$	2.5	V			
V_{IL}	Input Low Voltage	3.5V	$V_{SS}-0.3$	$0.2V_{CC}$	0.7	V			
		5.5V	$V_{SS}-0.3$	$0.2V_{CC}$	1.5	V			
V_{OH}	Output High Voltage	3.5V	$V_{CC}-0.4$		3.1	V	$I_{OH} = -2.0$ mA		
		5.5V	$V_{CC}-0.4$		4.8	V	$I_{OH} = -2.0$ mA		
V_{OL1}	Output Low Voltage	3.5V		0.6	0.2	V	$I_{OL} = +4.0$ mA		
		5.5V		0.4	0.1	V	$I_{OL} = +4.0$ mA		
V_{OL2}	Output Low Voltage	3.5V		1.2	0.5	V	$I_{OL} = +6$ mA		
		5.5V		1.2	0.5	V	$I_{OL} = +12$ mA		
V_{RH}	Reset Input High Voltage	3.5V	$0.5V_{CC}$	V_{CC}	1.1	V			
		5.5V	$0.5V_{CC}$	V_{CC}	2.2	V			
V_{RL}	Reset Input Low Voltage	3.5V	$V_{SS}-0.3$	$0.2V_{CC}$	0.9	V			
		5.5V	$V_{SS}-0.3$	$0.2V_{CC}$	1.4	V			
V_{OFFSET}	Comparator Input Offset Voltage	3.5V		25.0	10.0	mV			
		5.5V		25.0	10.0	mV			
I_{IL}	Input Leakage	3.5V	-1.0	2.0	0.064	mA	$V_{IN} = 0V, V_{CC}$		
		5.5V	-1.0	2.0	0.064	mA	$V_{IN} = 0V, V_{CC}$		
I_{OL}	Output Leakage	3.5V	-1.0	2.0	0.114	μA	$V_{IN} = 0V, V_{CC}$		
		5.5V	-1.0	2.0	0.114	μA	$V_{IN} = 0V, V_{CC}$		
V_{ICR}	Comparator Input Common Mode Voltage Range	3.5V	$V_{SS}-0.3$	$V_{CC}-1.0$		V		3	
		5.5V	$V_{SS}-0.3$	$V_{CC}-1.0$		V		3	
I_{IR}	Reset Input Current	3.5V	-10	-60	-30	μA			
		5.5V	-20	-180	-100	μA			

Table 1. DC Electrical Characteristics (Continued)

pF $T_A = 0^\circ\text{C}$ to $+70^\circ\text{C}$ Standard Temperatures								
Sym	Parameter	V_{CC}^1	Min	Max	Typical ² @ 25°C	Units	Conditions	Notes
I_{CC}	Supply Current	3.5V		2.5	2.0	mA	@ 10 MHz	4,5
		5.5V		6.0	3.5	mA	@ 10 MHz	4,5
I_{CC1}	Standby Current	3.5V		2.0	1.0	mA	HALT Mode $V_{IN} = 0V$, V_{CC} @ 10 MHz	4,5
		5.5V		4.0	2.5	mA	HALT Mode $V_{IN} = 0V$, V_{CC} @ 10 MHz	4,5
I_{CC2}	Standby Current	3.5V		500	150	nA	STOP Mode $V_{IN} = 0V$, V_{CC}	6

Notes:

1. The V_{CC} voltage specification of 3.5V guarantees 3.5V and the V_{CC} voltage specification of 5.5 V guarantees 5.0 V ± 0.5 V.
2. Typical values are measured at $V_{CC} = 3.3V$ and $V_{CC} = 5.0V$; $V_{SS} = 0V = GND$.
3. For analog comparator input when analog comparator is enabled.
4. All outputs unloaded and all inputs are at V_{CC} or V_{SS} level.
5. $CL1 = CL2 = 22$ pF.
6. Same as note 4 except inputs at V_{CC} .

DC ELECTRICAL CHARACTERISTICS (Continued)

Table 2. DC Electrical Characteristics

$T_A = -40^{\circ}\text{C to } +105^{\circ}\text{C}$ Extended Temperatures								
Sym	Parameter	V_{CC}^1	Min	Max	Typical ² @ 25°C	Units	Conditions	Notes
V_{CH}	Clock Input High Voltage	4.5V	$0.7 V_{CC}$	$V_{CC}+0.3$	2.5	V	Driven by External Clock Generator	
		5.5V	$0.7 V_{CC}$	$V_{CC}+0.3$	2.5	V	Driven by External Clock Generator	
V_{CL}	Clock Input Low Voltage	4.5V	$V_{SS}-0.3$	$0.2 V_{CC}$	1.5	V	Driven by External Clock Generator	
		5.5V	$V_{SS}-0.3$	$0.2 V_{CC}$	1.5	V	Driven by External Clock Generator	
V_{IH}	Input High Voltage	4.5V	$0.7 V_{CC}$	$V_{CC}+0.3$	2.5	V		
		5.5V	$0.7 V_{CC}$	$V_{CC}+0.3$	2.5	V		
V_{IL}	Input Low Voltage	4.5V	$V_{SS}-0.3$	$0.2 V_{CC}$	1.5	V		
		5.5V	$V_{SS}-0.3$	$0.2 V_{CC}$	1.5	V		
V_{OH}	Output High Voltage	4.5V	$V_{CC}-0.4$		4.8	V	$I_{OH} = -2.0 \text{ mA}$	
		5.5V	$V_{CC}-0.4$		4.8	V	$I_{OH} = -2.0 \text{ mA}$	
V_{OL1}	Output Low Voltage	4.5V		0.4	0.1	V	$I_{OL} = +4.0 \text{ mA}$	
		5.5V		0.4	0.1	V	$I_{OL} = +4.0 \text{ mA}$	
V_{OL2}	Output Low Voltage	4.5V		1.2	0.5	V	$I_{OL} = +12 \text{ mA}$	
		5.5V		1.2	0.5	V	$I_{OL} = +12 \text{ mA}$	
V_{RH}	Reset Input High Voltage	4.5V	$0.5V_{CC}$	V_{CC}	1.1	V		
		5.5V	$0.5V_{CC}$	V_{CC}	2.2	V		
V_{OFFSET}	Comparator Input Offset Voltage	4.5V		25.0	10.0	mV		
		5.5V		25.0	10.0	mV		
I_{IL}	Input Leakage	4.5V	-1.0	2.0	<1.0	μA	$V_{IN} = 0\text{V}, V_{CC}$	
		5.5V	-1.0	2.0	<1.0	μA	$V_{IN} = 0\text{V}, V_{CC}$	
I_{OL}	Output Leakage	4.5V	-1.0	2.0	<1.0	μA	$V_{IN} = 0\text{V}, V_{CC}$	
		5.5V	-1.0	2.0	<1.0	μA	$V_{IN} = 0\text{V}, V_{CC}$	
V_{ICR}	Comparator Input Common Mode Voltage Range	4.5V	0	$V_{CC}-1.5\text{V}$		V		3
		5.5V	0	$V_{CC}-1.5\text{V}$		V		3
I_{IR}	Reset Input Current	4.5V	-18	-180	-112	mA		
		5.5V	-18	-180	-112	mA		

Table 2. DC Electrical Characteristics (Continued)

T _A = -40°C to +105°C Extended Temperatures								
Sym	Parameter	V _{CC} ¹	Min	Max	Typical ² @ 25°C	Units	Conditions	Notes
I _{CC}	Supply Current	4.5V		7.0	4.0	mA	@ 10 MHz	4,5
		5.5V		7.0	4.0	mA	@ 10 MHz	4,5
I _{CC1}	Standby Current	4.5V		2.0	1.0	mA	HALT Mode V _{IN} = 0V, V _{CC} @ 10 MHz	4,5
		5.5V		2.0	1.0	mA	HALT Mode V _{IN} = 0V, V _{CC} @ 10 MHz	4,5
I _{CC2}	Standby Current	4.5V		700	250	nA	STOP Mode V _{IN} = 0V, V _{CC}	6
		5.5V		700	250	nA	STOP Mode V _{IN} = 0V, V _{CC}	6

Notes:

1. The V_{CC} voltage specification of 4.5V and 5.5V guarantees 5.0V ±0.5V.
2. Typical values are measured at V_{CC} = 3.3V and V_{CC} = 5.0V; V_{SS} = 0V = GND.
3. For analog comparator input when analog comparator is enabled.
4. All outputs unloaded and all inputs are at V_{CC} or V_{SS} level.
5. CL1 = CL2 = 22 pF.
6. Same as note 4 except inputs at V_{CC}.

AC ELECTRICAL CHARACTERISTICS

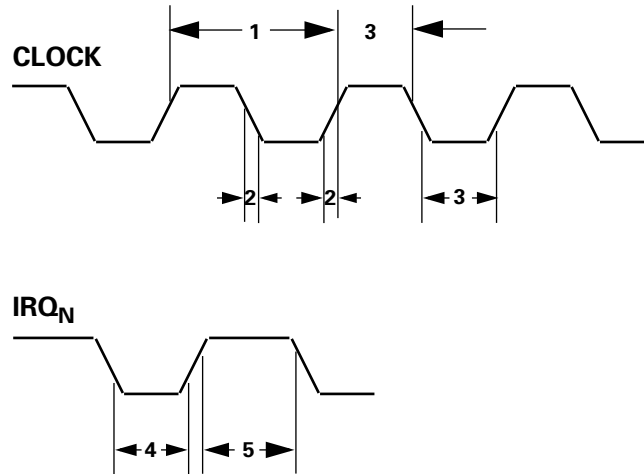


Figure 8. AC Electrical Timing Diagram

Table 3. Additional Timing

$T_A = 0^\circ\text{C to } +70^\circ\text{C}$ $T_A = -40^\circ\text{C to } +105^\circ\text{C}$ @ 10 MHz							
No	Symbol	Parameter	V_{CC}^1	Min	Max	Units	Notes
1	TpC	Input Clock Period	3.5V	100	DC	ns	2
			5.5V	100	DC	ns	2
2	TrC,TfC	Clock Input Rise and Fall Times	3.5V		15	ns	2
			5.5V		15	ns	2
3	TwC	Input Clock Width	3.5V	50		ns	2
			5.5V	50		ns	2
4	TwIL	Int. Request Input Low Time	3.5V	70		ns	2
			5.5V	70		ns	2
5	TwIH	Int. Request Input High Time	3.5V	5TpC			2
			5.5V	5TpC			2
6	TwsM	STOP Mode Recovery Width Spec.	3.5V	12		ns	
			5.5V	12		ns	
7	Tost	Oscillator Start-Up Time	3.5V		5TpC		
			5.5V		5TpC		

Notes:

1. The V_{DD} voltage specification of 3.5V guarantees 3.5V. The V_{DD} voltage specification of 5.5V guarantees $5.0V \pm 0.5V$.
2. Timing Reference uses $0.7 V_{CC}$ for a logic 1 and $0.2 V_{CC}$ for a logic 0.

Z8PLUS CORE

The Z8E001 is based on the ZiLOG Z8Plus Core Architecture. This core is capable of addressing up to 64KBytes of program memory and 4KBytes of RAM. Register RAM is accessed as either 8 or 16 bit registers using a combination of 4, 8, and 12 bit addressing modes. The architecture sup-

ports up to 15 vectored interrupts from external and internal sources. The processor decodes 44 CISC instructions using six addressing modes. See the Z8Plus User's Manual for more information.

RESET

This section describes the Z8E001 reset conditions, reset timing, and register initialization procedures. Reset is generated by the Reset Pin, Watch-Dog Timer (WDT), and Stop-Mode Recovery (SMR).

A system reset overrides all other operating conditions and puts the Z8E001 into a known state. To initialize the chip's internal logic, the RESET input must be held Low for at least 30 XTAL clock cycles. The control registers and ports

are reset to their default conditions after a reset from the RESET pin. The control registers and ports are not reset to their default conditions after wakeup from Stop Mode or WDT timeout.

During RESET, the program counter is loaded with 0020H. I/O ports and control registers are configured to their default reset state. Resetting the Z8E001 does not affect the contents of the general-purpose registers.

RESET PIN OPERATION

The Z8E001 hardware RESET pin initializes the control and peripheral registers, as shown in Table 4. Specific reset values are shown by 1 or 0, while bits whose states are unchanged or unknown from Power-Up are indicated by the letter U.

RESET must be held Low until the oscillator stabilizes, for an additional 30 XTAL clock cycles, in order to be sure that the internal reset is complete. The RESET pin has a Schmitt-Trigger input with a trip point. There is no High side protection diode. The user should place an external diode from

RESET to V_{CC} . A pull-up resistor on the RESET pin is approximately 500 K Ω , typical.

Program execution starts 10 XTAL clock cycles after RESET has returned High. The initial instruction fetch is from location 0020H. Figure 9 indicates reset timing.

After a reset, the first routine executed must be one that initializes the TCTLHI control register to the required system configuration, followed by initialization of the remaining control registers.

Table 4. Control and Peripheral Registers

Register (HEX)	Register Name	Bits								Comments
		7	6	5	4	3	2	1	0	
FF	Stack Pointer	0	0	U	U	U	U	U	U	Stack pointer is not affected by RESET
FE	Reserved									
FD	Register Pointer	U	U	U	U	0	0	0	0	Register pointer is not affected by RESET
FC	Flags	U	U	U	U	U	U	*	*	Only WDT & SMR flags are affected by RESET
FB	Interrupt Mask	0	0	0	0	0	0	0	0	All interrupts masked by RESET
FA	Interrupt Request	0	0	0	0	0	0	0	0	All interrupt requests cleared by RESET
F9–F0	Reserved									
EF–E0	Virtual Copy									Virtual Copy of the Current Working Register Set
DF–D8	Reserved									

RESET PIN OPERATION (Continued)

Table 4. Control and Peripheral Registers (Continued)

Register (HEX)	Register Name	Bits								Comments
		7	6	5	4	3	2	1	0	
D7	Port B Special Function	0	0	0	0	0	0	0	0	Deactivates all port special functions after RESET
D6	Port B Directional Control	0	0	0	0	0	0	0	0	Defines all bits as inputs in PortB after RESET
D5	Port B Output	U	U	U	U	U	U	U	U	Output register not affected by RESET
D4	Port B Input	U	U	U	U	U	U	U	U	Current sample of the input pin following RESET
D3	Port A Special Function	0	0	0	0	0	0	0	0	Deactivates all port special functions after RESET
D2	Port A Directional Control	0	0	0	0	0	0	0	0	Defines all bits as inputs in PortA after RESET
D1	Port A Output	U	U	U	U	U	U	U	U	Output register not affected by RESET
D0	Port A Input	U	U	U	U	U	U	U	U	Current sample of the input pin following RESET
CF	Reserved									
CE	Reserved									
CD	T1VAL	U	U	U	U	U	U	U	U	
CC	T0VAL	U	U	U	U	U	U	U	U	
CB	T3VAL	U	U	U	U	U	U	U	U	
CA	T2VAL	U	U	U	U	U	U	U	U	
C9	T3AR	U	U	U	U	U	U	U	U	
C8	T2AR	U	U	U	U	U	U	U	U	
C7	T1ARHI	U	U	U	U	U	U	U	U	
C6	T0ARHI	U	U	U	U	U	U	U	U	
C5	T1ARLO	U	U	U	U	U	U	U	U	
C4	T0ARLO	U	U	U	U	U	U	U	U	
C3	WDTHI	1	1	1	1	1	1	1	1	
C2	WDTLO	1	1	1	1	1	1	1	1	
C1	TCTLHI	1	1	1	1	1	0	0	0	WDT Enabled in HALT Mode, WDT timeout at maximum value, STOP Mode disabled
C0	TCTLLO	0	0	0	0	0	0	0	0	All standard timers are disabled

Note: *The SMR and WDT flags are set indicating the source of the RESET.

Table 5. Flag Register Bit D1, D0

D1	D0	Reset Source
0	0	RESET Pin
0	1	SMR Recovery
1	0	WDT Reset
1	1	Reserved

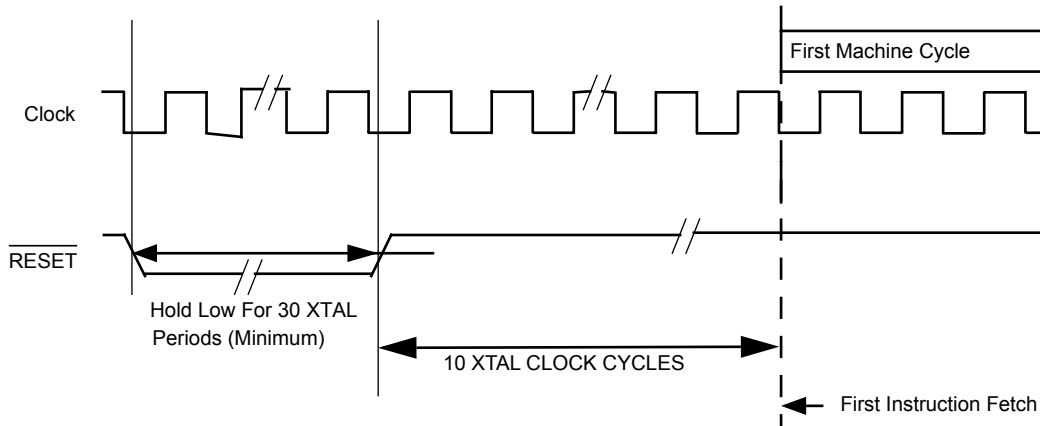


Figure 9. Reset Timing

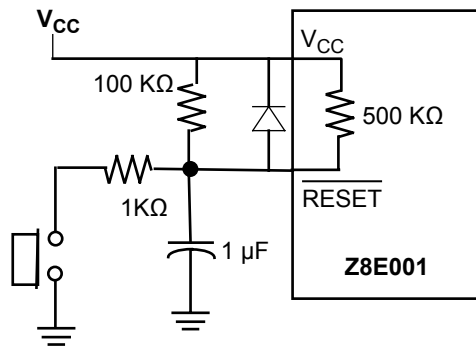


Figure 10. Example of External Power-On Reset (POR) Circuit

RESET PIN OPERATION (Continued)

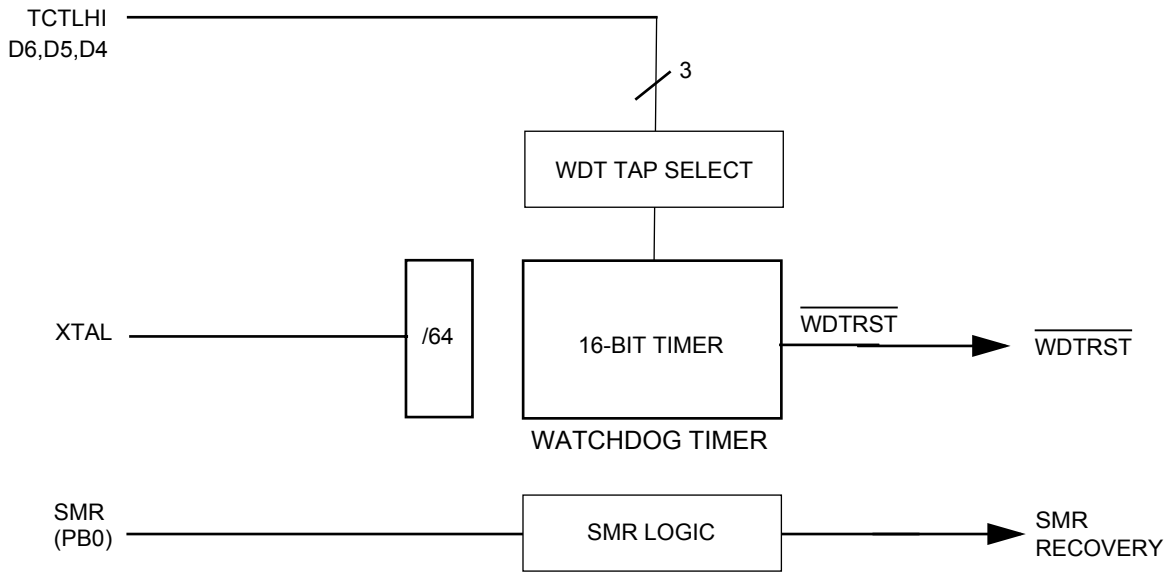


Figure 11. Z8E001 Reset Circuitry with WDT and SMR

Z8E001 WATCH-DOG TIMER (WDT)

The WDT is a retriggerable one-shot 16-bit timer that resets the Z8E001 if it reaches its terminal count. The WDT is driven by the XTAL2 clock pin. To provide the longer timeout periods required in applications, the watchdog timer is only updated every 64th clock cycle. When operating in the RUN or HALT Modes, a WDT timeout reset is functionally equivalent to an interrupt vectoring the PC to 0020H and setting the WDT flag to a one state. Coming out of RESET, the WDT is fully enabled with its timeout value set at the maximum value, unless otherwise programmed during the first instruction. Subsequent executions of the WDT instruction, reinitialize the watchdog timer registers (C2H and C3H), to their initial values as defined by bits D6, D5, and D4 of the TCTLHI register. The WDT cannot be disabled except on the first cycle after RESET, and if the device enters Stop mode.

The WDT instruction should be executed often enough to provide some margin before allowing the WDT registers to

get near 0. Because the WDT timeout periods are relatively long, a WDT reset will occur in the unlikely event that the WDT times out on exactly the same cycle that the WDT instruction is executed.

The WDT and SMR flags are the only flags that are affected by the external RESET pin. RESET clears both the WDT and SMR flags. A WDT timeout sets the WDT flag. The STOP instruction sets the SMR flag. This behavior enables software to determine whether a pin RESET occurred, or whether a WDT timeout occurred, or whether a return from STOP Mode occurred. Reading the WDT and SMR flags does not reset it to zero, the user must clear it via software.

Note: Failure to clear the SMR flag can result in undefined behavior.

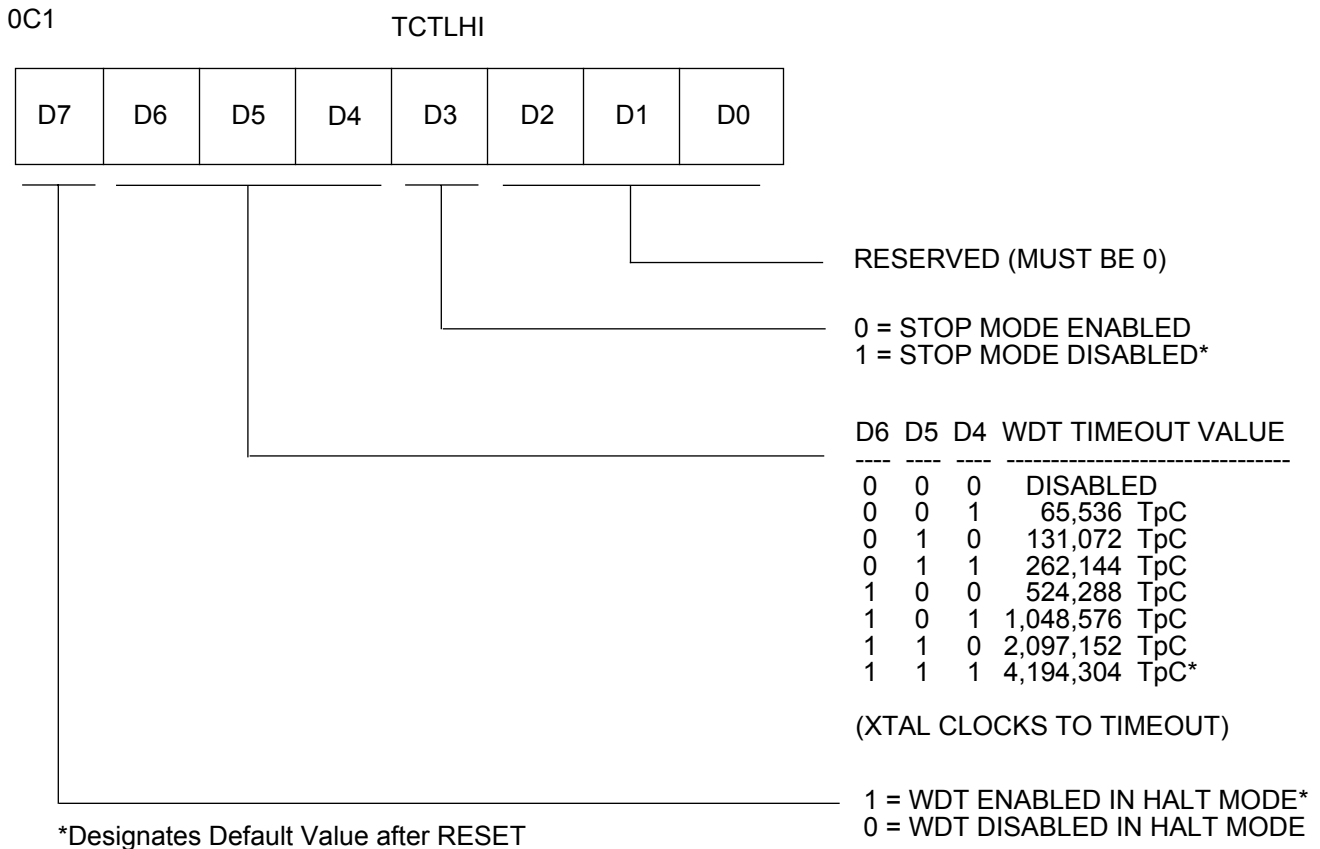


Figure 12. Z8E001 TCTLHI Register for Control of WDT

Note: The WDT can only be disabled via software if the first instruction out of RESET performs this function. Logic within the Z8E001 detects that it is in the process of executing the first instruction after the part leaves RESET. During the execution of this instruction, the upper five bits of the TCTLHI register can be written. After this first instruction, hardware does not allow the upper five bits of this register to be written.

The TCTLHI bits for control of the WDT are described below:

WDT Time Select (D6, D5, D4). Bits 6, 5, and 4 determine the time-out period. Table 6 indicates the range of timeout values that can be obtained. The default values of D6, D5, and D4 are all 1, thus setting the WDT to its maximum time-out period when coming out of RESET.

WDT During HALT (D7). This bit determines whether or not the WDT is active during HALT Mode. A 1 indicates active during HALT. A 0 prevents the WDT from resetting the part while halted. Coming out of reset, the WDT is enabled during HALT Mode.

STOP MODE (D3). Coming out of RESET, the Z8E001 STOP Mode is disabled. If an application requires use of STOP Mode, bit D3 must be cleared immediately upon leaving RESET. If bit D3 is set, the STOP instruction executes as a NOP. If bit D3 is cleared, the STOP instruction enters Stop Mode. Whenever the Z8E001 wakes up after having been in STOP Mode, the STOP Mode is again disabled.

Bits 2, 1 and 0. These bits are reserved and must be 0.

Table 6. WDT Time-Out

D6	D5	D4	Crystal Clocks* to Timeout	Time-Out Using a 10 MHZ Crystal
0	0	0	Disabled	Disabled
0	0	1	65,536 TpC	6.55 ms
0	1	0	131,072 TpC	13.11 ms
0	1	1	262,144 TpC	26.21 ms
1	0	0	524,288 TpC	52.43 ms
1	0	1	1,048,576 TpC	104.86 ms
1	1	0	2,097,152 TpC	209.72 ms
1	1	1	4,194,304 TpC	419.43 ms

Note:

*TpC=XTAL clock cycle. The default on reset is D6=D5=D4=1.

POWER-DOWN MODES

In addition to the standard RUN mode, the Z8E001 MCU supports two Power-Down modes to minimize device current consumption. The two modes supported are HALT and STOP.

HALT MODE OPERATION

The HALT Mode suspends instruction execution and turns off the internal CPU clock. The on-chip oscillator circuit remains active so the internal clock continues to run and is applied to the timers and interrupt logic.

To enter the HALT Mode, the Z8E001 only requires a HALT instruction. It is NOT necessary to execute a NOP instruction immediately before the HALT instruction.

```
7F    HALT    ; enter HALT Mode
```

The HALT Mode can be exited by servicing an interrupt (either externally or internally) generated. Upon completion of the interrupt service routine, the user program continues from the instruction after the HALT instruction.

The HALT Mode can also be exited via a RESET activation or a Watch-Dog Timer (WDT) timeout. In these cases, program execution restarts at the reset restart address 0020H.

STOP MODE OPERATION

The STOP Mode provides the lowest possible device standby current. This instruction turns off the on-chip oscillator and internal system clock.

To enter the STOP Mode, the Z8E001 only requires a STOP instruction. It is NOT necessary to execute a NOP instruction immediately before the STOP instruction.

```
6F  STOP ;enter STOP Mode
```

The STOP Mode is exited by any one of the following resets: RESET pin or a STOP-Mode Recovery source. Upon reset generation, the processor always restarts the application program at address 0020H, and the STOP Mode Flag is set. Reading the STOP Mode Flag does not clear it. The user must clear the STOP Mode Flag with software.

Note: Failure to clear the STOP Mode Flag can result in undefined behavior.

The Z8E001 provides a dedicated STOP-Mode Recovery (SMR) circuit. In this case, a low-level applied to input pin PB0 triggers an SMR. To use this mode, pin PB0 (I/O Port B, bit 0) must be configured as an input before the STOP Mode is entered. The Low level on PB0 must be held for a minimum pulse width T_{WSM} plus any oscillator startup time. Program execution starts at address 20Hex after PB0 is raised back to a high level.

Notes: Use of the PB0 input for the stop mode recovery does not initialize the control registers.

The STOP Mode current (I_{CC2}) is minimized when:

- V_{CC} is at the low end of the devices operating range.
 - Output current sourcing is minimized.
 - All inputs (digital and analog) are at the Low or High rail voltages.
-

CLOCK

The Z8E001 MCU derives its timing from on-board clock circuitry connected to pins XTAL1 and XTAL2. The clock circuitry consists of an oscillator, a glitch filter, a divide-by-two shaping circuit, a divide-by-four shaping circuit, and a divide-by-eight shaping circuit. Figure 13 illustrates the clock circuitry. The oscillator's input is XTAL1 and its output is XTAL2. The clock can be driven by a crystal, a ceramic resonator, LC clock, or an external clock source.

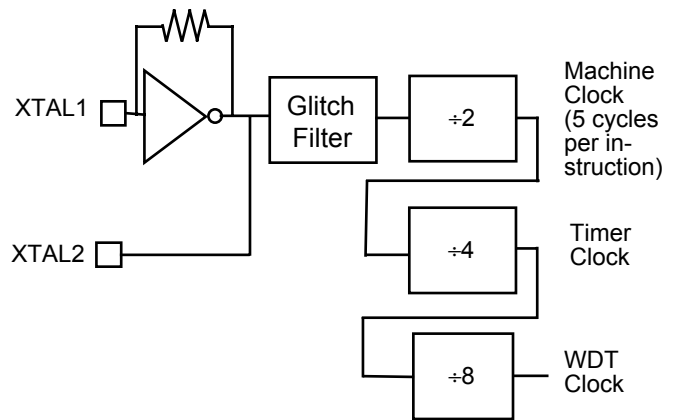


Figure 13. Z8E001 Clock Circuit

OSCILLATOR OPERATION

The Z8E001 MCU uses a Pierce oscillator with an internal feedback resistor (Figure 14). The advantages of this circuit are low-cost, large output signal, low-power level in the crystal, stability with respect to V_{CC} and temperature, and low impedances (not disturbed by stray effects).

One draw back is the requirement for high gain in the amplifier to compensate for feedback path losses. The oscillator amplifies its own noise at start-up until it settles at the frequency that satisfies the gain/phase requirements ($A \times B = 1$; where $A = V_o/V_i$ is the gain of the amplifier and $B = V_i/V_o$ is the gain of the feedback element). The total phase shift around the loop is forced to zero (360 degrees). V_{IN} must be in phase with itself; therefore, the amplifier/inverter provides a 180-degree phase shift, and the feedback element is forced to provide the other 180-degree phase shift.

R_1 is a resistive component placed from output to input of the amplifier. The purpose of this feedback is to bias the amplifier in its linear region and provide the start-up transition.

Capacitor C_2 , combined with the amplifier output resistance, provides a small phase shift. It also provides some attenuation of overtones.

Capacitor C_1 , combined with the crystal resistance, provides an additional phase shift.

C_1 and C_2 can affect the start-up time if they increase dramatically in size. As C_1 and C_2 increase, the start-up time increases until the oscillator reaches a point where it does not start up any more.

It is recommended for fast and reliable oscillator start-up (over the manufacturing process range) that the load capacitors be sized as low as possible without resulting in overtone operation.

Layout

Traces connecting crystal, caps, and the Z8E001 oscillator pins should be as short and wide as possible, to reduce parasitic inductance and resistance. The components (caps, crystal, resistors) should be placed as close as possible to the oscillator pins of the Z8E001.

The traces from the oscillator pins of the IC and the ground side of the lead caps should be guarded from all other traces (clock, V_{CC} , address/data lines, system ground) to reduce cross talk and noise injection. Guarding is usually accomplished by keeping other traces and system ground trace planes away from the oscillator circuit, and by placing a Z8E001 device V_{SS} ground ring around the traces/components. The ground side of the oscillator lead caps should be connected to a single trace to the Z8E001 V_{SS} (GND) pin. It should not be shared with any other system ground trace

or components except at the Z8E001 device V_{SS} pin. The objective is to prevent differential system ground noise injection into the oscillator (Figure 15).

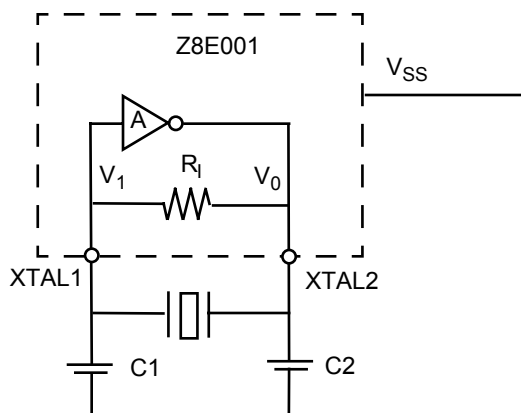


Figure 14. Pierce Oscillator with Internal Feedback Circuit

Indications of an Unreliable Design

There are two major indicators that are used in working designs to determine their reliability over full lot and temperature variations. They are:

Start-up Time. If start-up time is excessive, or varies widely from unit to unit, there is probably a gain problem. To fix the problem, the capacitors C_1/C_2 require reduction. The amplifier gain is either not adequate at frequency, or the crystal R_s are too large.

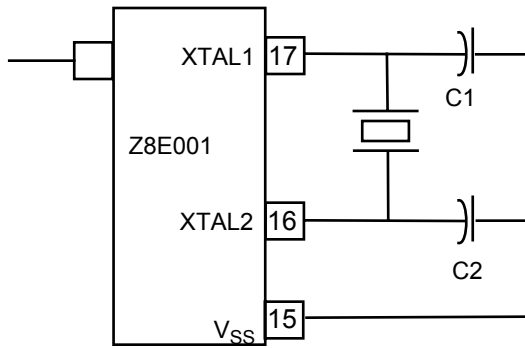
Output Level. The signal at the amplifier output should swing from ground to V_{CC} to indicate adequate gain in the amplifier. As the oscillator starts up, the signal amplitude grows until clipping occurs. At that point, the loop gain is effectively reduced to unity, and constant oscillation is achieved. A signal of less than 2.5 volts peak-to-peak is an indication that low gain can be a problem. Either C_1 or C_2 should be made smaller, or a low-resistance crystal should be used.

Circuit Board Design Rules

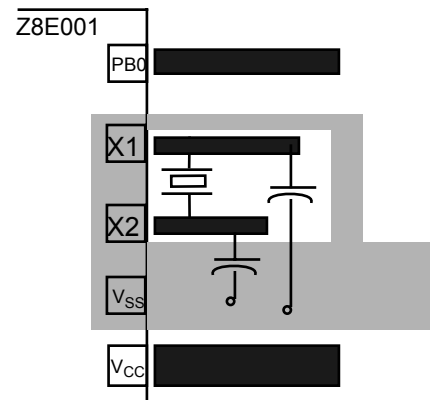
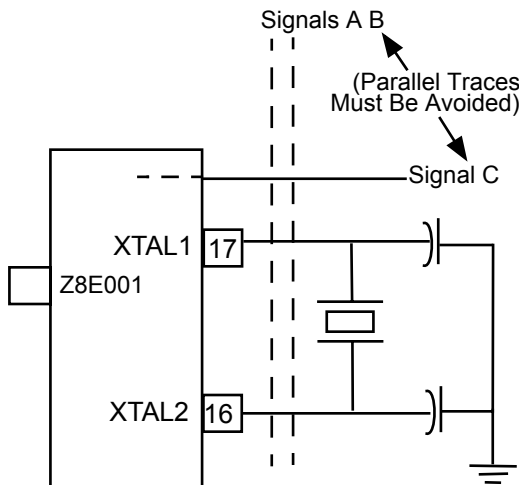
The following circuit board design rules are suggested:

- To prevent induced noise, the crystal and load capacitors should be physically located as close to the Z8E001 as possible.
- Signal lines should not run parallel to the clock oscillator inputs. In particular, the crystal input circuitry and the internal system clock output should be separated as much as possible.

- V_{CC} power lines should be separated from the clock oscillator input circuitry.
- Resistivity between XTAL1 or XTAL2 (and the other pins) should be greater than 10 M Ω .



Clock Generator Circuit



Board Design Example
(Top View)

Figure 15. Circuit Board Design Rules

Crystals and Resonators

Crystals and ceramic resonators (Figure 16) should have the following characteristics to ensure proper oscillation:

Crystal Cut	AT (crystal only)
Mode	Parallel, Fundamental Mode
Crystal Capacitance	<7pF
Load Capacitance	10pF < CL < 220 pF, 15 typical
Resistance	100 ohms max

Depending on the operation frequency, the oscillator can require additional capacitors, C1 and C2, as shown in Figure 16 and Figure 17. The capacitance values are dependent on the manufacturer's crystal specifications.

OSCILLATOR OPERATION (Continued)

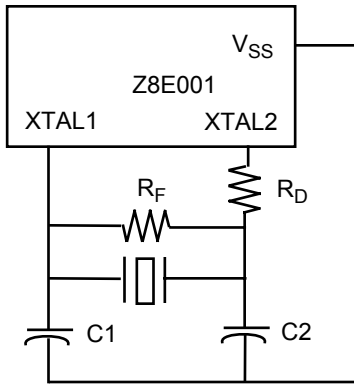


Figure 16. Crystal/Ceramic Resonator Oscillator

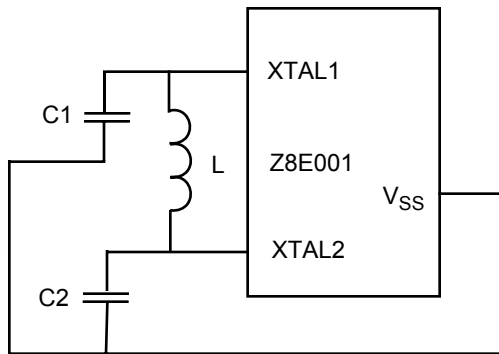


Figure 17. LC Clock

In most cases, the R_D is 0 Ohms and R_F is infinite. These specifications are determined and specified by the crys-

tal/ceramic resonator manufacturer. The R_D can be increased to decrease the amount of drive from the oscillator output to the crystal. It can also be used as an adjustment to avoid clipping of the oscillator signal to reduce noise. The R_F can be used to improve the start-up of the crystal/ceramic resonator. The Z8E001 oscillator already has an internal shunt resistor in parallel to the crystal/ceramic resonator.

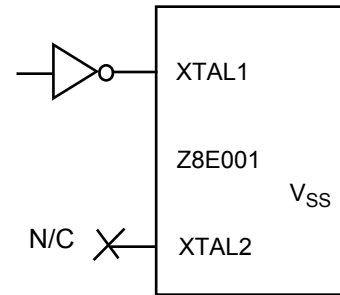


Figure 18. External Clock

Figure 16, Figure 17, and Figure 18 recommend that the load capacitor ground trace connect directly to the V_{SS} (GND) pin of the Z8E001. This requirement assures that no system noise is injected into the Z8E001 clock. This trace should not be shared with any other components except at the V_{SS} pin of the Z8E001.

Note: A parallel resonant crystal or resonator data sheet specifies a load capacitor value that is a series combination of C_1 and C_2 , including all parasitics (PCB and holder).

LC OSCILLATOR

The Z8E001 oscillator can use a LC network to generate a XTAL clock (Figure 17).

The frequency stays stable over V_{CC} and temperature. The oscillation frequency is determined by the equation:

$$\text{Frequency} = \frac{1}{2\pi (LC_T)^{1/2}}$$

where L is the total inductance including parasitics, and C_T is the total series capacitance including parasitics.

Simple series capacitance is calculated using the equation at the top of the next column.

$$1/C_T = 1/C_1 + 1/C_2$$

$$\text{If } C_1 = C_2$$

$$1/C_T = 2/C_1$$

$$C_1 = 2C_T$$

A sample calculation of capacitance C_1 and C_2 for 5.83 MHz frequency and inductance value of 27 μH is displayed as follows:

$$5.83 (10^6) = \frac{1}{2\pi [2.7 (10^{-6}) C_T]^{1/2}}$$

$$C_T = 27.6 \text{ pF}$$

Thus $C_1 = 55.2 \text{ pF}$ and $C_2 = 55.2 \text{ pF}$.

TIMERS

For the Z8E001, 8-bit timers (T0 and T1) are available to function as a pair of independent 8-bit standard timers, or they can be cascaded to function as a 16-bit PWM timer.

In addition to T0 and T1, extra 8-bit timers (T2 and T3) are provided, but they can only operate in cascade to function as a 16-bit standard timer.

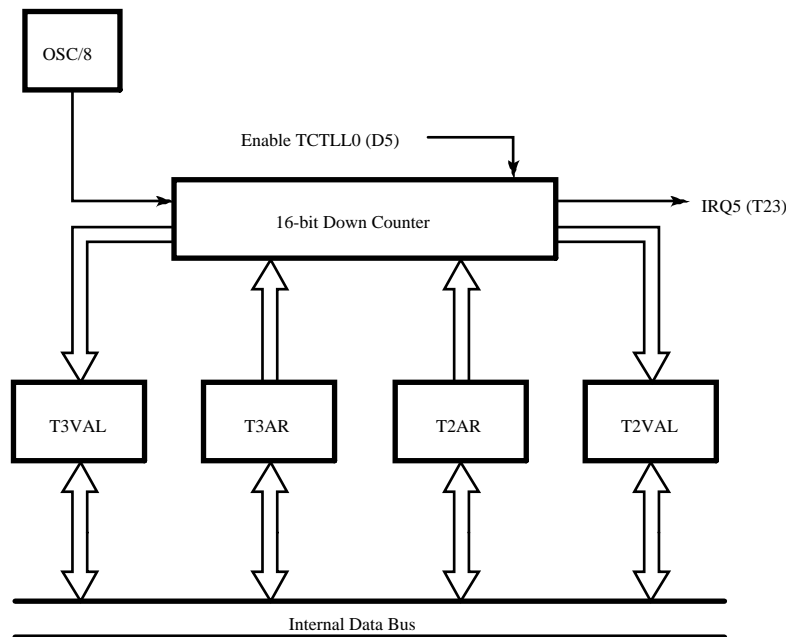


Figure 19. Z8E001 16-Bit Standard Timer

TIMERS (Continued)

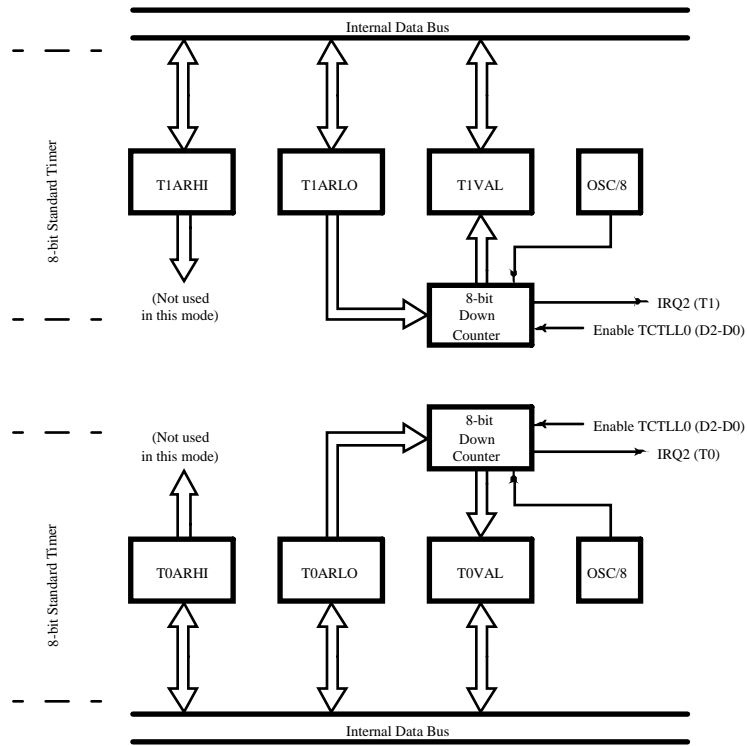


Figure 20. 8-Bit Standard Timers

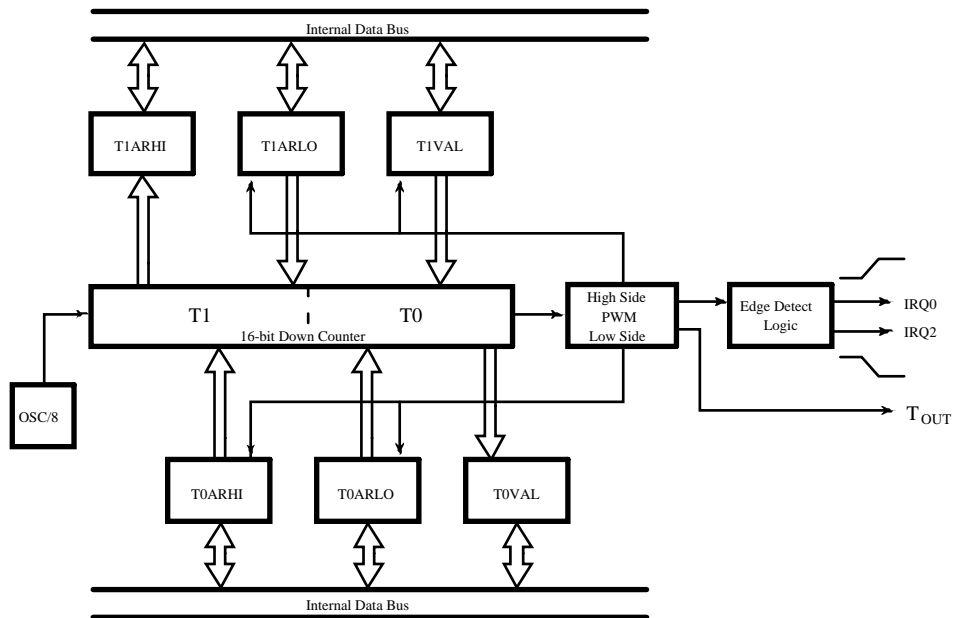
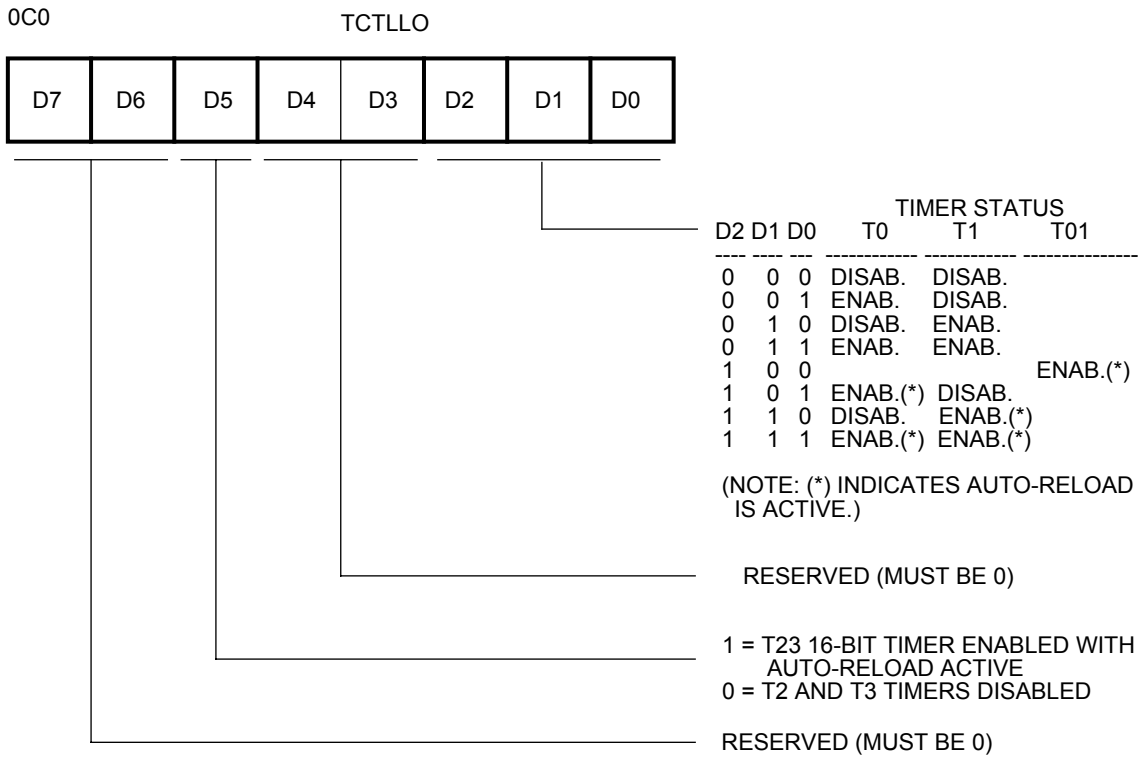


Figure 21. 16-bit Standard PWM Timer



Note: Timer T01 is a 16-bit PWM Timer formed by cascading 8-bit timers T1 (MSB) and T0 (LSB). T23 is a standard 16-bit timer formed by cascading 8-bit timers T3 (MSB) and T2 (LSB).

Figure 22. TCTLLO Register

Each 8-bit timer is provided a pair of registers, which are both readable and writable. One of the registers is defined to contain the auto-initialization value for the timer, while the second register contains the current value for the timer. When a timer is enabled, the timer decrements whatever value is currently held in its count register, and then continues decrementing until it reaches 0. At this time, an interrupt is generated and the contents of the auto-initialization register optionally copy into the count value register. If auto-initialization is not enabled, the timer stops counting upon reaching 0, and control logic clears the appropriate control register bit to disable the timer. This operation is referred to as “single-shot”. If auto-initialization is enabled, the timer continues counting from the initialization value. Software should not attempt to use registers that are defined as having timer functionality.

Software is allowed to write to any register at any time, but care should be taken if timer registers are updated while the timer is enabled. If software updates the count value while the timer is in operation, the timer continues counting based upon the software-updated value.

Note: Strange behavior can result if the software update occurred at exactly the point that the timer was reaching 0 to trigger an interrupt and/or reload.

Similarly, if software updates the initialization value register while the timer is active, the next time that the timer reaches 0, it initializes using the updated value.

Note: Strange behavior could result if the initialization value register is being written while the timer is in the process of being initialized.

Whether initialization is done with the new or old value is a function of the exact timing of the write operation. In all cases, the Z8E001 prioritizes the software write above that of a decremter writeback; however, when hardware clears a control register bit for a timer that is configured for single-shot operation, the clearing of the control bit overrides a software write. Reading either register can be done

TIMERS (Continued)

at any time, and will have no effect on the functionality of the timer.

If a timer pair is defined to operate as a single 16-bit entity, the entire 16-bit value must reach 0 before an interrupt is generated. In this case, a single interrupt is generated, and the interrupt corresponds to the even 8-bit timer.

Example: Timers T2 and T3 are cascaded to form a single 16-bit timer, so the interrupt for the combined timer is defined to be that of timer T2 rather than T3. When a timer pair is specified to act as a single 16-bit timer, the even timer registers in the pair (timer T0 or T2) is defined to hold the timer's least significant byte. In contrast, the odd timer in the pair holds the timer's most significant byte.

In parallel with the posting of the interrupt request, the interrupting timer's count value is initialized by copying the contents of the auto-initialization value register to the count value register. It should be noted that any time that a timer pair is defined to act as a single 16-bit timer, that the auto-reload function is performed automatically. All 16-bit timers continue counting while their interrupt requests are active, and each operates in a free-running manner.

If interrupts are disabled for a long period of time, it is possible for the timer to decrement to 0 again before its initial interrupt has been responded to. This condition is termed a degenerate case, and hardware is not required to detect it.

When the timer control register is written, all timers that are enabled by the write begins counting using the value that is held in the count register. In this case, an auto-initialization is not performed. All timers can receive an internal clock source only. Each timer that is enabled is updated every 8th XTAL clock cycle.

If T0 and T1 are defined to work independently, then each works as an 8-bit timer with a single auto-initialization register (T0ARLO for T0, and T1ARLO for T1). Each timer asserts its predefined interrupt when it times out, optionally performing the auto-initialization function. If T0 and T1 are cascaded to form a single 16-bit timer, then the single 16-bit timer is capable of performing as a Pulse-Width Modulator (PWM). This timer is referred to as T01 to distinguish it as having special functionality that is not available when T0 and T1 act independently.

When T01 is enabled, it can use a pair of 16-bit auto-initialization registers. In this mode, one 16-bit auto-initialization value is composed of the concatenation of T1ARLO and T0ARLO. The second auto-initialization value is composed of the concatenation of T1ARHI and T0ARHI. When

T01 times out, it alternately initializes its count value using the LO auto-init pair, followed by the HI auto-init pair. This functionality corresponds to a PWM, where the T1 interrupt defines the end of the HI section of the waveform, and the T0 interrupt marks the end of the LO portion of the PWM waveform.

To use the cascaded timers as a PWM, one must initialize the T0 and T1 count registers to work in conjunction with the port pin. The user should initialize the T0 and T1 count registers to the PWM_HI auto-init value to obtain the required PWM behavior. The PWM is arbitrarily defined to use the LO autoreload registers first, implying that it had just timed out after beginning in the HI portion of the PWM waveform. As such, the PWM is defined to assert the T1 interrupt after the first timeout interval.

After the auto-initialization has been completed, decrementing occurs for the number of counts defined by the PWM_LO registers. When decrementing again reaches 0, the T0 interrupt is asserted; and auto-init using the PWM_HI registers occurs. Decrementing occurs for the number of counts defined by the PWM_HI registers until reaching 0. From there, the T1 interrupt is asserted, and the cycle begins again.

The internal timers can be used to trigger external events by toggling the PB1 output when generating an interrupt. This functionality can only be achieved in conjunction with the port unit defining the appropriate pin as an output signal with the timer output special function enabled. In this mode, the appropriate port output is toggled when the timer count reaches 0, and continues toggling each time that the timer times out.

T_{OUT} Mode

The PortB special function register PTBSFR (0D7H) (Figure 23) is used in conjunction with the Port B directional control register PTBDIR (0D6) (Figure 24) to configure PB1 for T_{OUT} operation for timer0. In order for T_{OUT} to function, PB1 must be defined as an output line by setting PTBDIR bit 1 to 1. Configured in this way, PB1 has the capability of being a clock output for timer0, toggling the PB1 output pin on each timer0 timeout.

At end-of-count, the interrupt request line IRQ0, clocks a toggle flip-flop. The output of this flip-flop drives the T_{OUT} line, PB1. In all cases, when timer0 reaches its end-of-count, T_{OUT} toggles to its opposite state (Figure 25). If, for example, timer0 is in Continuous Counting Mode, T_{OUT} has a 50 percent duty cycle output. This duty cycle can easily be controlled by varying the initial values after each end-of-count.

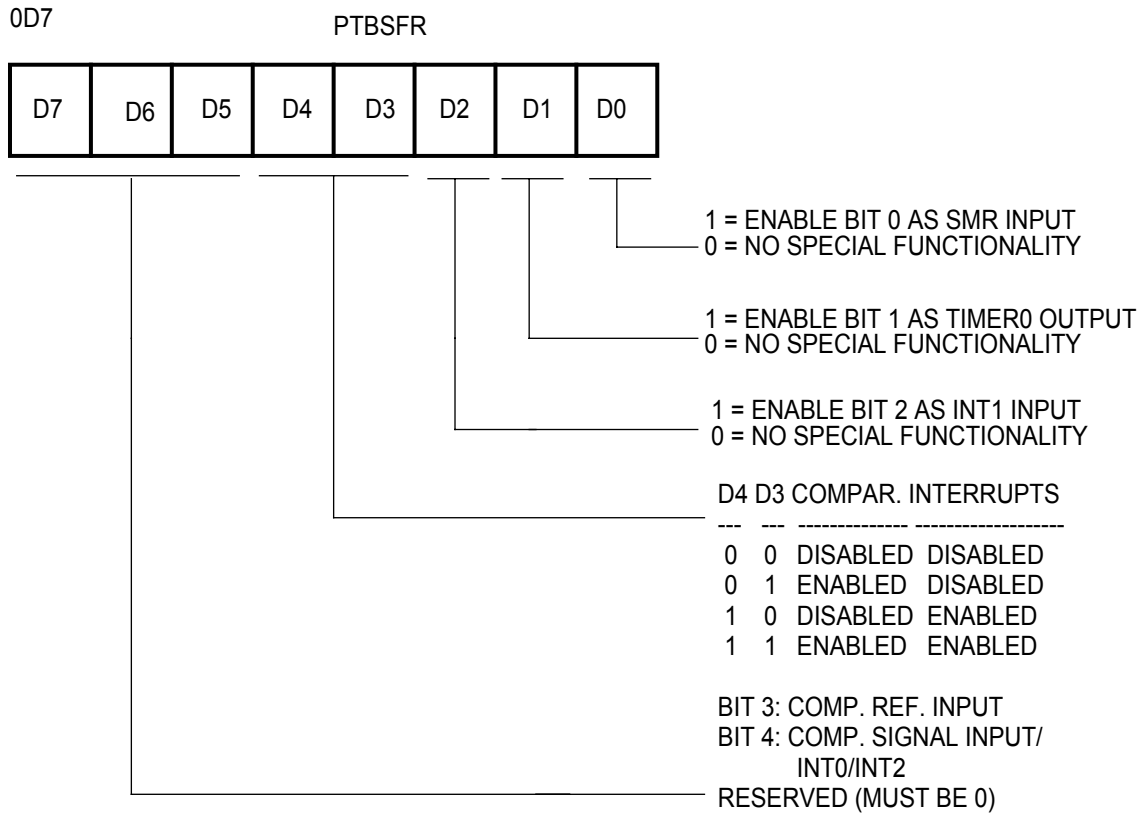


Figure 23. PortB Special Function Register (T_{out} Operation)

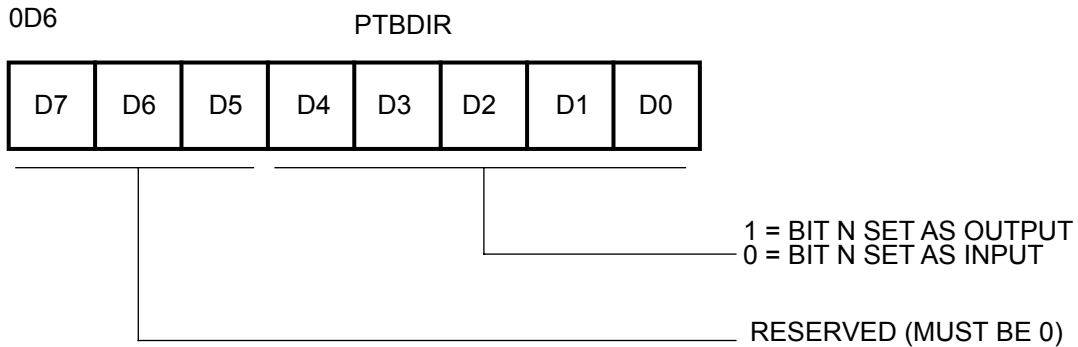


Figure 24. Port B Directional Control Register

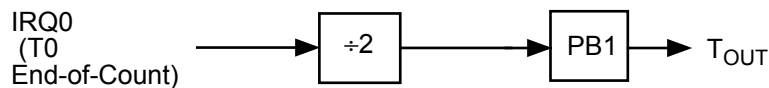


Figure 25. Timer T0 Output Through T_{OUT}

RESET CONDITIONS

After a hardware RESET, the timers are disabled. See Table 4 for timer control, value, and auto-initialization register status after RESET.

I/O PORTS

The Z8E001 has 13 lines dedicated to input and output. These lines are grouped into two ports known as Port A and Port B. Port A is an 8-bit port, bit programmable as either inputs or outputs. Port B can be programmed to provide standard input/output or the following special functions: timer0 output, comparator input, SMR input, and external interrupt inputs.

All ports have push-pull CMOS outputs. In addition, the outputs of Port A on a bit-wise basis can be configured for open-drain operation. The ports operate on a bit-wise basis. As such, the register values for/at a given bit position only affect the bit in question.

Each port is defined by a set of four control registers. See Figure 27.

Directional Control and Special Function Registers

Each port on the Z8E001 has a dedicated Directional Control Register that determines (on a bit-wise basis) whether a given port bit operates as either an input or an output.

Each port on the Z8E001 has a Special Function Register that, in conjunction with the Directional Control Register, implements (on a bit-wise basis), any special functionality that can be defined for each particular port bit.

READ/WRITE OPERATIONS

The control for each port is done on a bit-wise basis. All bits are capable of operating as inputs or outputs, depending upon the setting of the port's Directional Control Register. If configured as an input, each bit is provided a Schmitt-trigger. The output of the Schmitt-trigger is latched twice to perform a synchronization function, and the output of the synchronizer is fed to the port input register, which can be read by software.

A write to a port input register has the effect of updating the contents of the input register, but subsequent reads do not necessarily return the same value that was written. If the bit in question is defined as an input, the input register for

Table 7. Z8E001 I/O Ports Registers

Register	Address	Identifier
Port B Special Function	0D7H	PTBSFR
Port B Directional Control	0D6H	PTBDIR
Port B Output Value	0D5H	PTBOUT
Port B Input Value	0D4H	PTBIN
Port A Special Function	0D3H	PTASFR
Port A Directional Control	0D2H	PTADIR
Port A Output Value	0D1H	PTAOUT
Port A Input Value	0D0H	PTAIN

Input and Output Value Registers

Each port has an Output Value Register and a pF Input Value Register. For port bits configured as an input by means of the Directional Control Register, the Input Value Register for that bit position contains the current synchronized input value.

For port bits configured as an output by means of the Directional Control Register, the value held in the corresponding bit of the Output Value Register is driven directly onto the output pin. The opposite register bit for a given pin (the output register bit for an input pin and the input register bit for an output pin) holds their previous value. These bits are not changed and don't have any effect on the hardware.

that bit position contains the current synchronized input value. Thus, writes to that bit position is overwritten on the next clock cycle with the newly sampled input data. However, if the particular port bit is programmed as an output, the input register for that bit retains the software-updated value. The port bits that are programmed as outputs do not sample the value being driven out.

Any bit in either port can be defined as an output by setting the appropriate bit in the directional control register. If such is the case, the value held in the appropriate bit of the port output register is driven directly onto the output pin.

Note: The preceding result does not necessarily reflect the actual output value. If an external error is holding an output pin either High or Low against the output driver, the software read returns the *required* value, not the actual state caused by the contention. When a bit is defined as an output, the Schmitt-trigger on the input is disabled to save power.

Updates to the output register takes effect based upon the timing of the internal instruction pipeline, but is referenced to the rising edge of the clock. The output register can be read at any time, and returns the current output value that is held. No restrictions are placed on the timing of reads and/or writes to any of the port registers with respect to the

others; however, care should be taken when updating the directional control and special function registers.

When updating a Directional Control Register, the Special Function Register should first be disabled. If this precaution is not taken, spurious events could take place as a result of the change in port I/O status. This precaution is especially important when defining changes in Port B, as the spurious event referred to above could be one or more interrupts. Clearing of the SFR register should be the first step in configuring the port, while setting the SFR register should be the final step in the port configuration process. To ensure deterministic behavior, the SFR register should not be written until the pins are being driven appropriately, and all initialization has been completed.

PORT A

Port A is a general-purpose port. Figure 26 features a block diagram of Port A. Each of its lines can be independently programmed as input or output via the Port A Directional Control Register (PTADIR at 0D2H) as seen in Figure 27. A bit set to a 1 in PTADIR configures the corresponding bit in Port A as an output, while a bit cleared to 0 configures the corresponding bit in Port A as an input.

The input buffers are Schmitt-triggered. Bits programmed as outputs can be individually programmed as either push-pull or open drain by setting the corresponding bit in the Special Function Register (PTASFR, Figure 27).

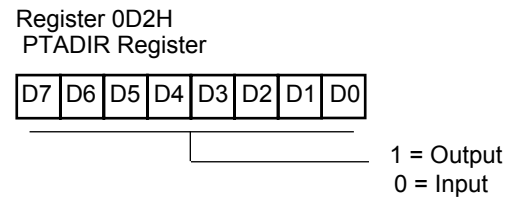


Figure 26. Port A Directional Control Register

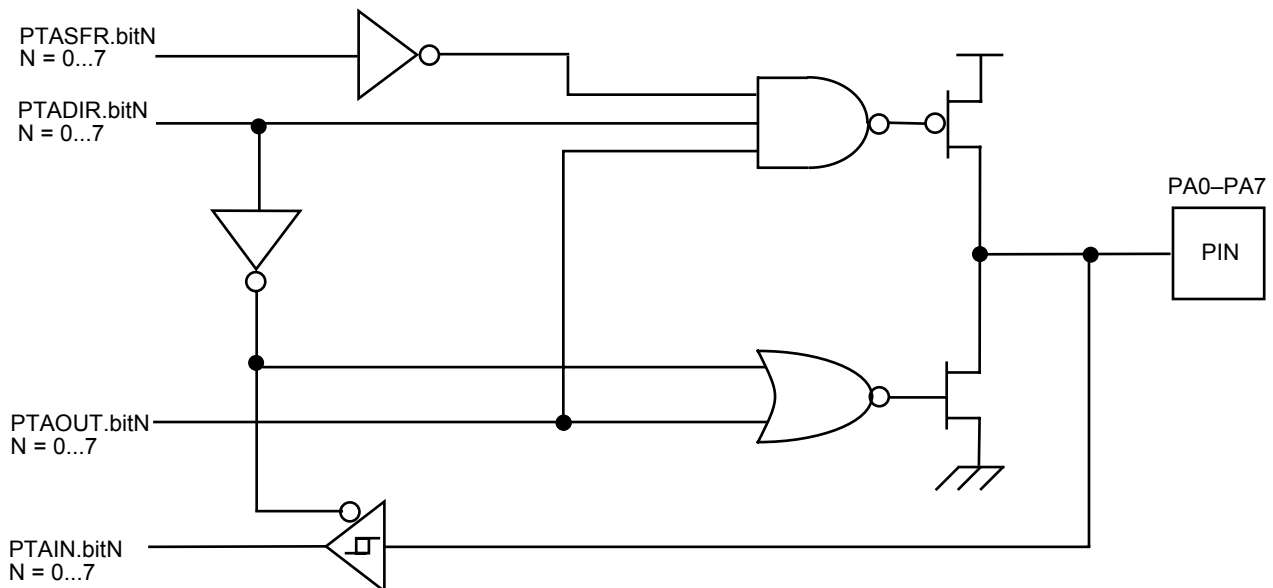


Figure 27. Port A Configuration with Open-Drain Capability and Schmitt-Trigger

PORT A REGISTER DIAGRAMS

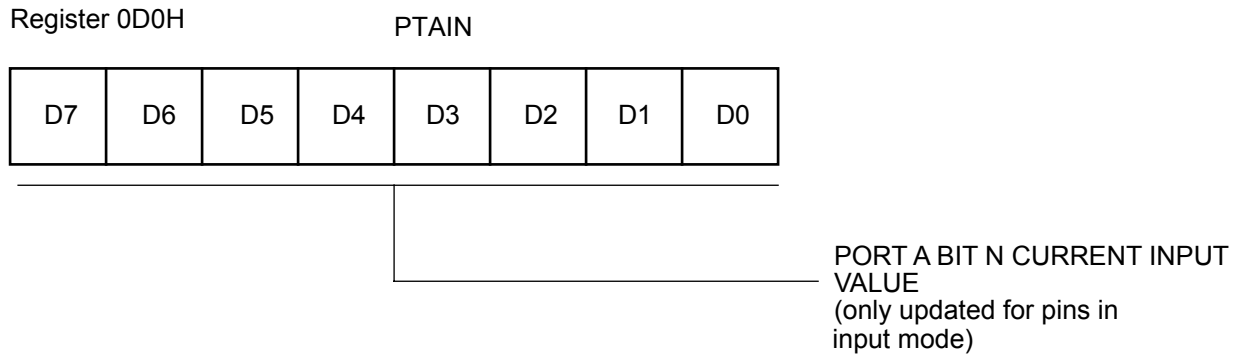


Figure 28. Port A Input Value Register

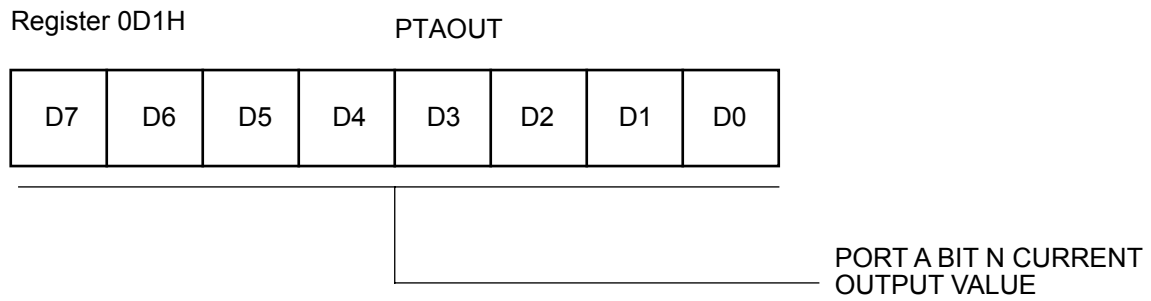


Figure 29. Port A Output Value Register

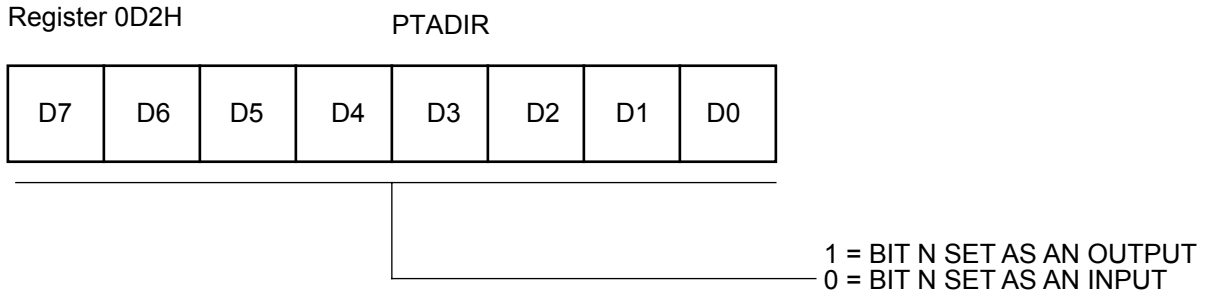


Figure 30. Port A Directional Control Register

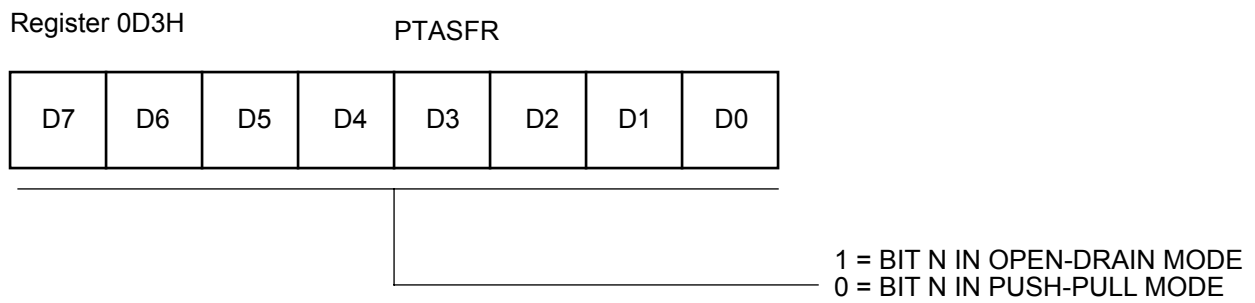


Figure 31. Port A Special Function Register

PORT B

Port B Description

Port B is a 5-bit (bidirectional), CMOS-compatible I/O port. These five I/O lines can be configured under software control to be an input or output, independently. Input buffers are Schmitt-triggered. See Figure 33 through Figure 36 for diagrams of all five Port B pins.

In addition to standard input/output capability on all five pins of Port B, each pin provides special functionality as shown in the following table:

Special functionality is invoked via the Port B Special Function Register. See Figure 32 for the arrangement and control conventions of this register.

Table 8. Port B Special Functions

Port Pin	Input Special Function	Output Special Function
PB0	Stop Mode Recovery Input	None
PB1	None	Timer0 Output
PB2	IRQ3	None
PB3	Comparator Reference Input	None
PB4	Comparator Signal Input/IRQ1/IRQ4	None

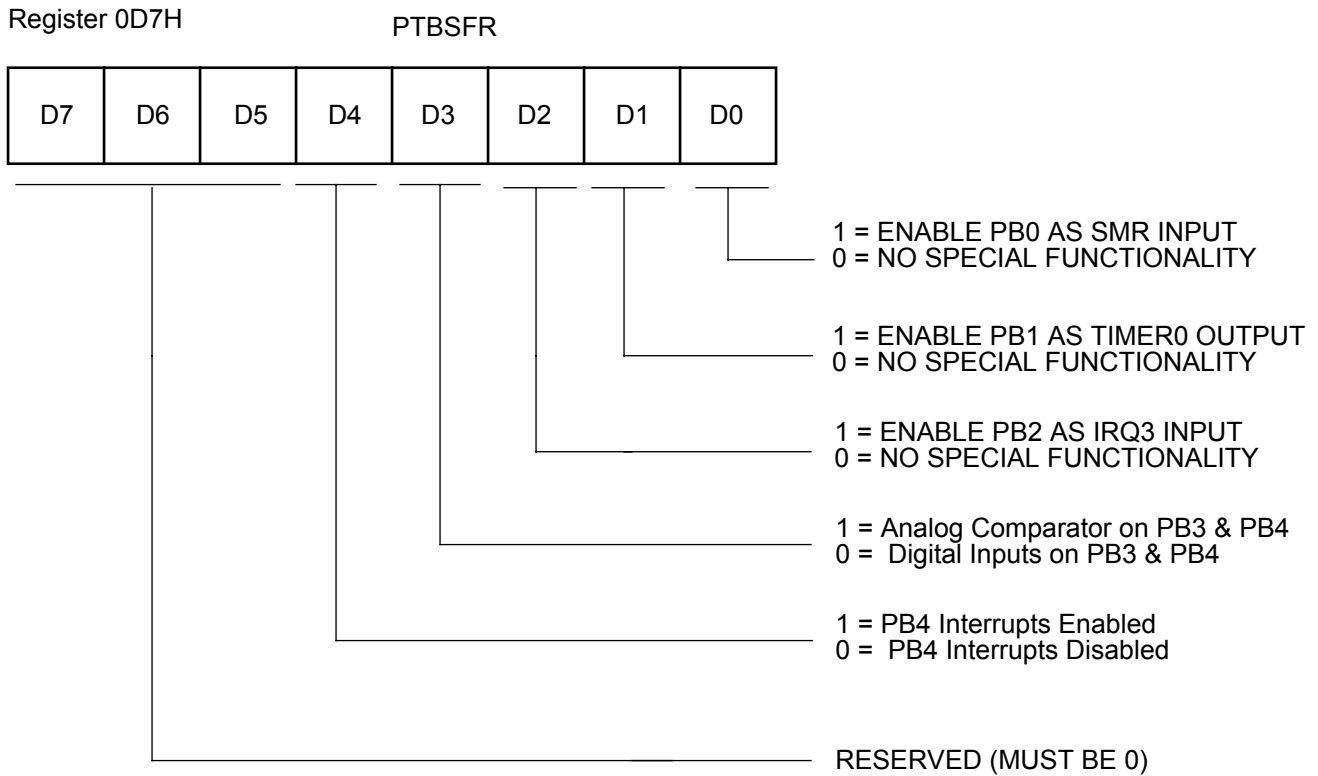


Figure 32. Port B Special Function Register

PORT B—PIN 0 CONFIGURATION

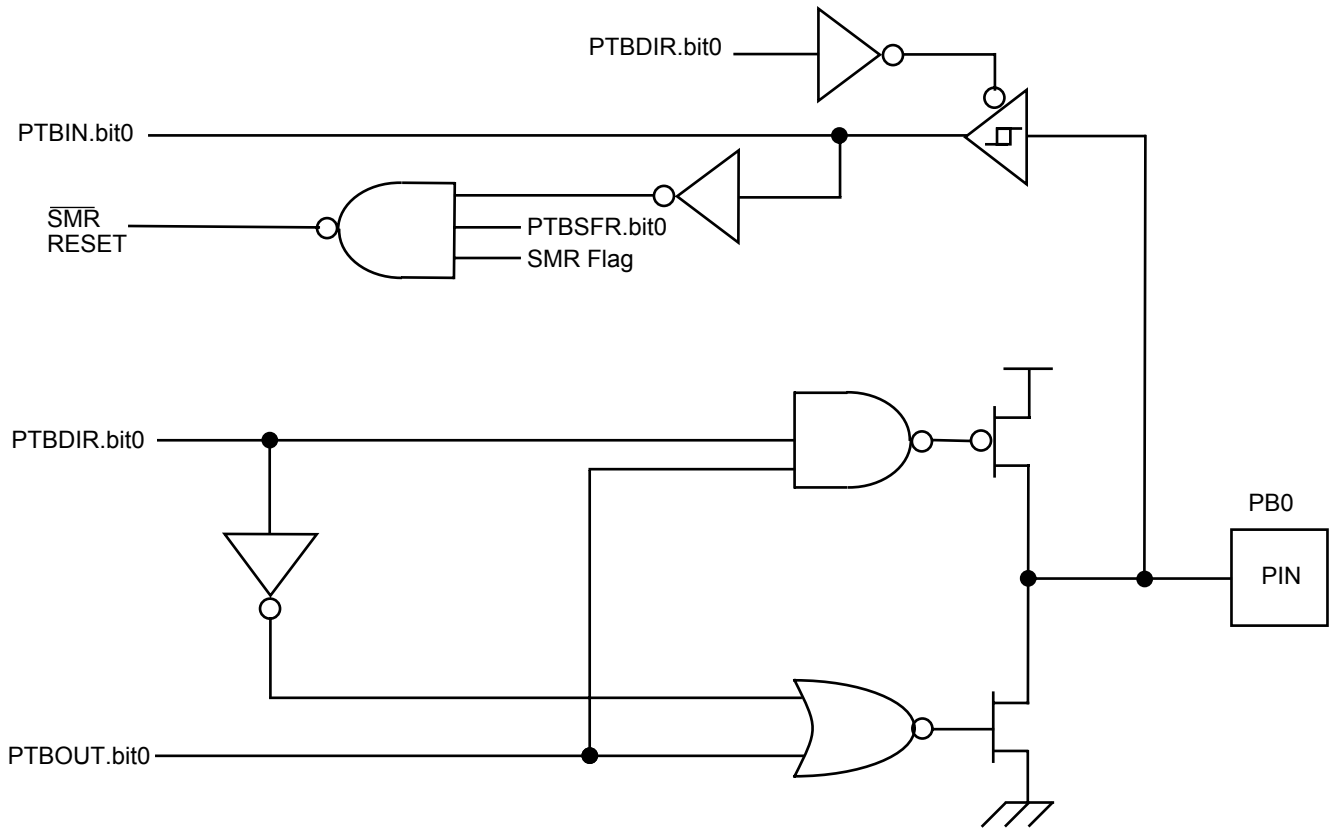


Figure 33. Port B Pin 0 Diagram

PORT B—PIN 1 CONFIGURATION

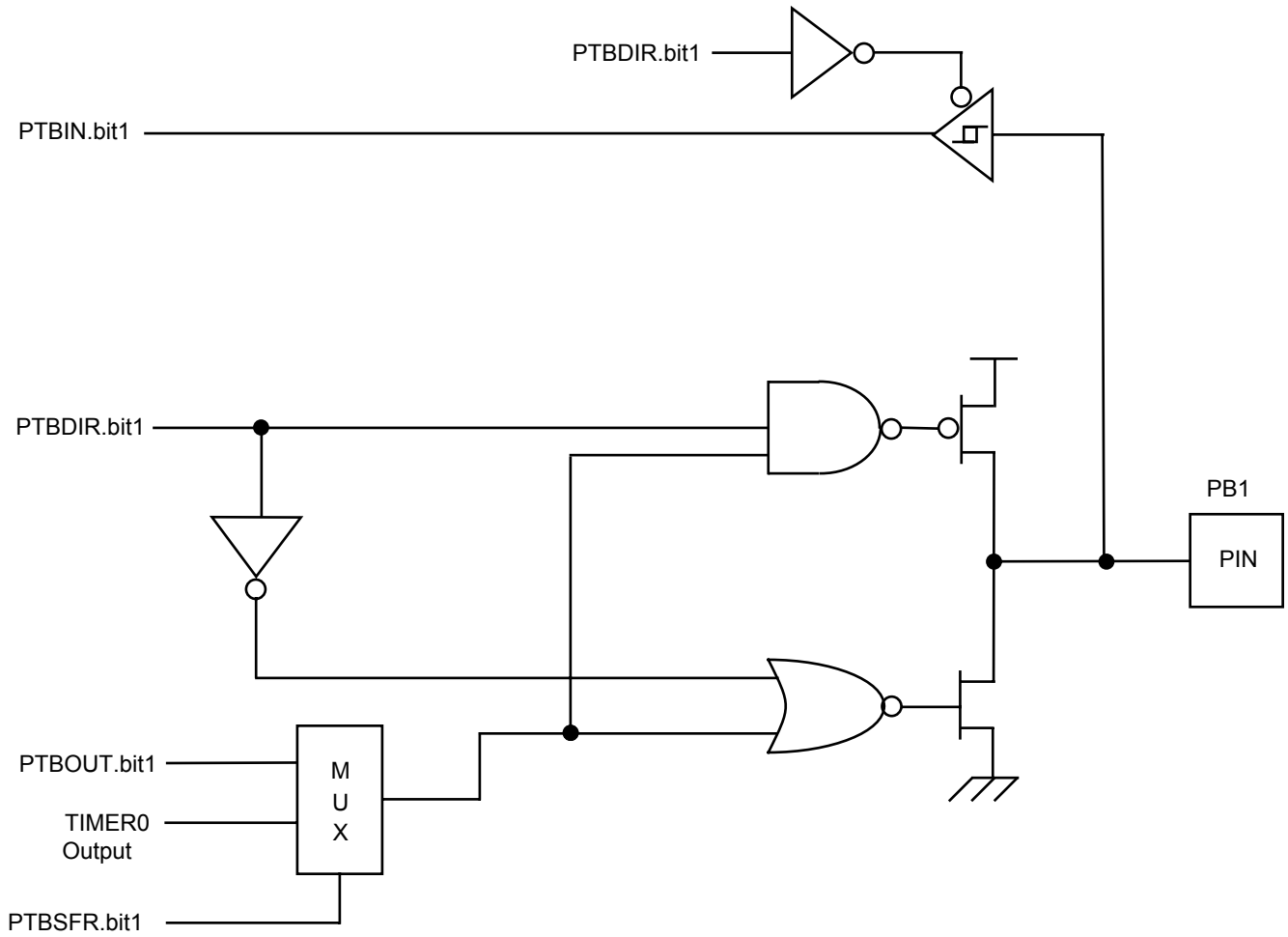


Figure 34. Port B Pin 1 Diagram

PORT B—PIN 2 CONFIGURATION

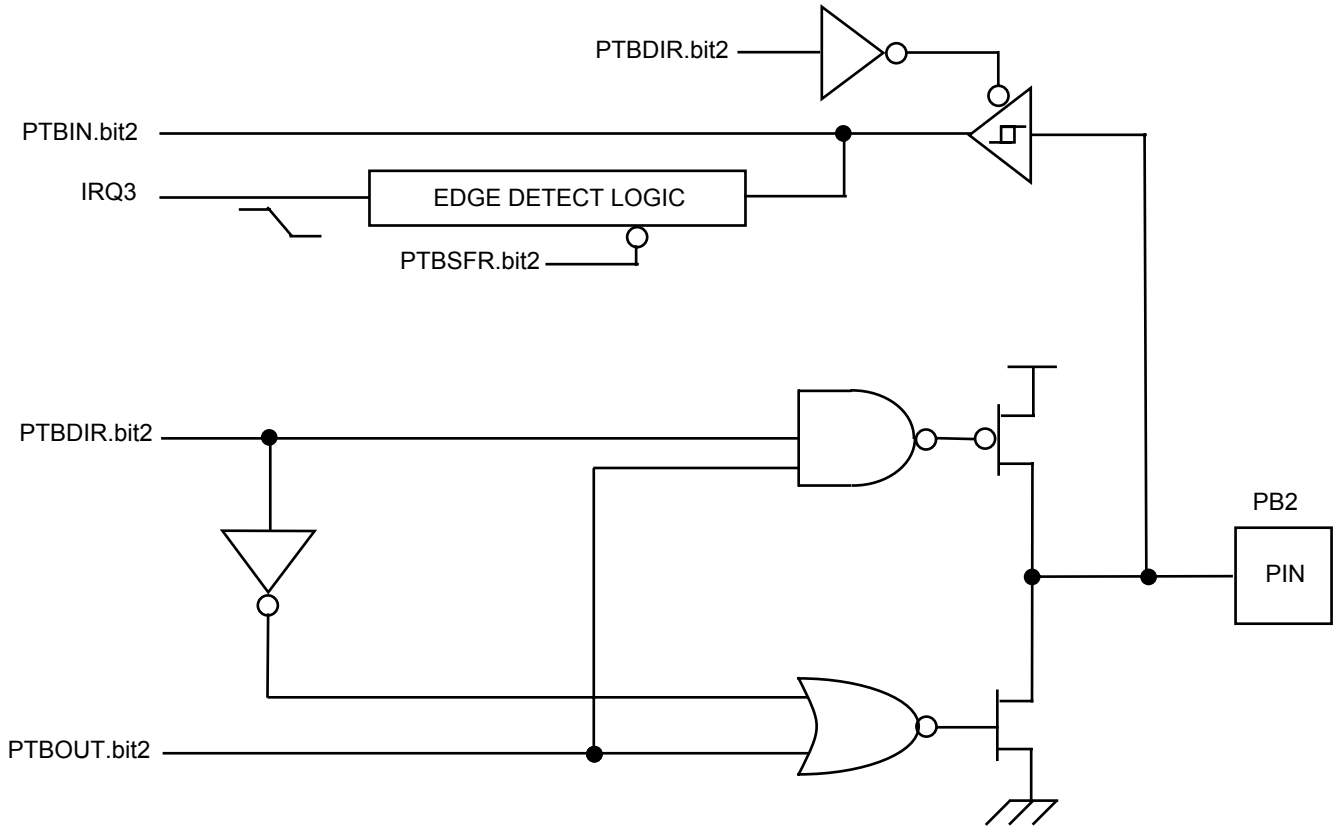


Figure 35. Port B Pin 2 Diagram

PORT B—PINS 3 AND 4 CONFIGURATION

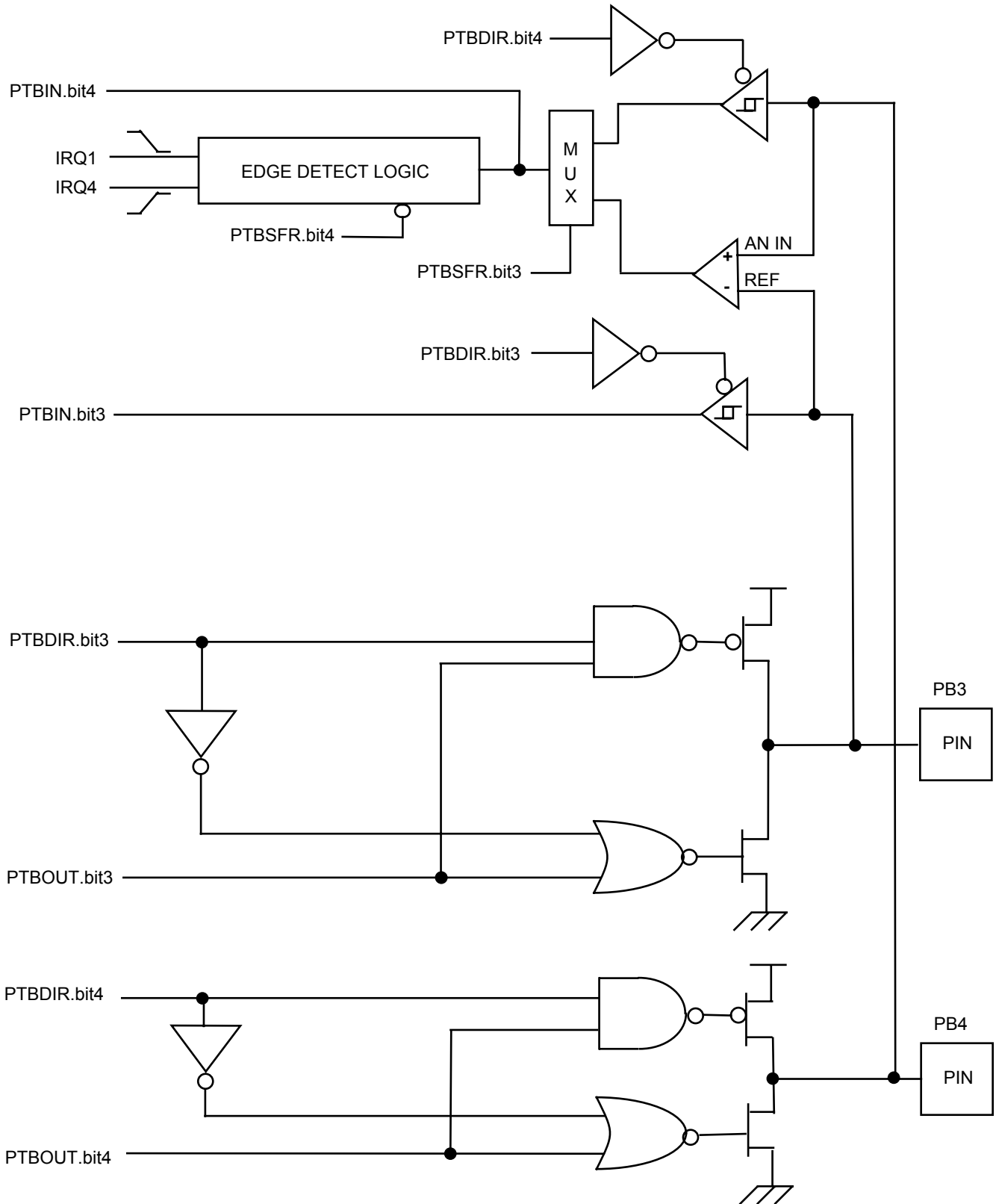


Figure 36. Port B Pins 3 and 4 Diagram

PORT B CONTROL REGISTERS

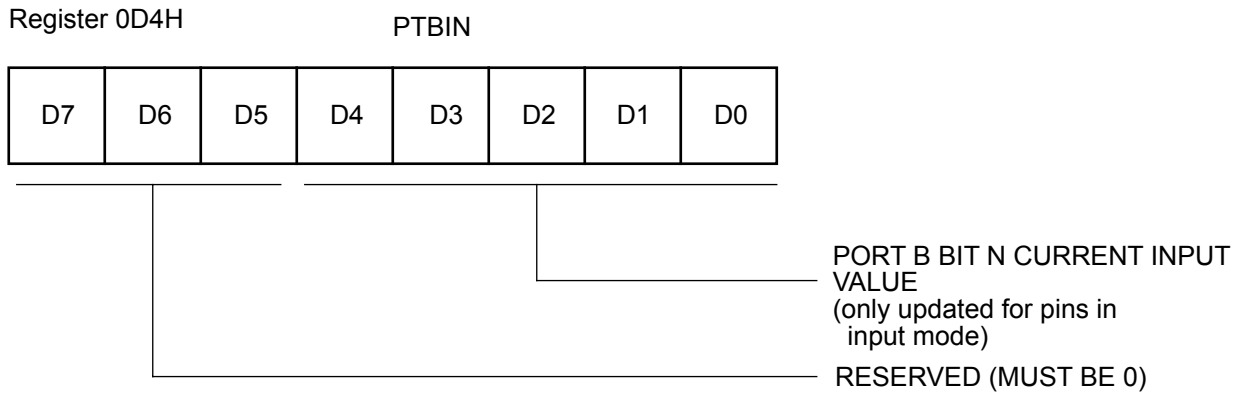


Figure 37. Port B Input Value Register

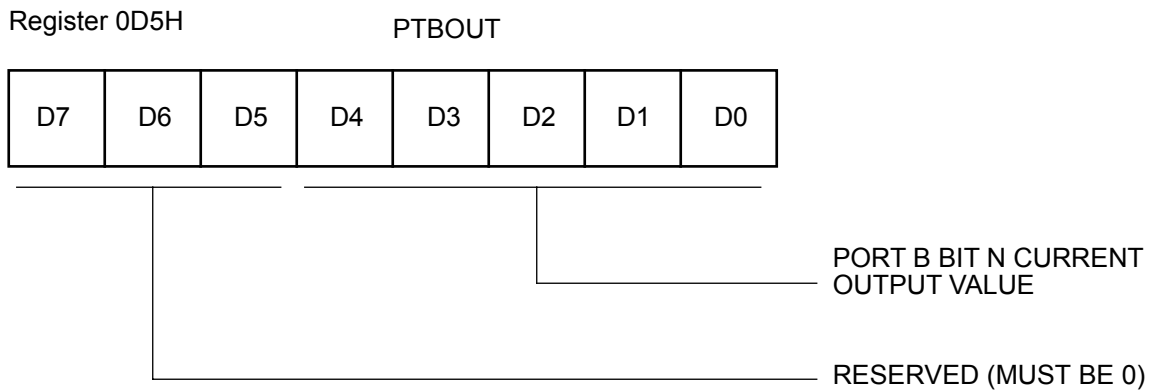


Figure 38. Port B Output Value Register

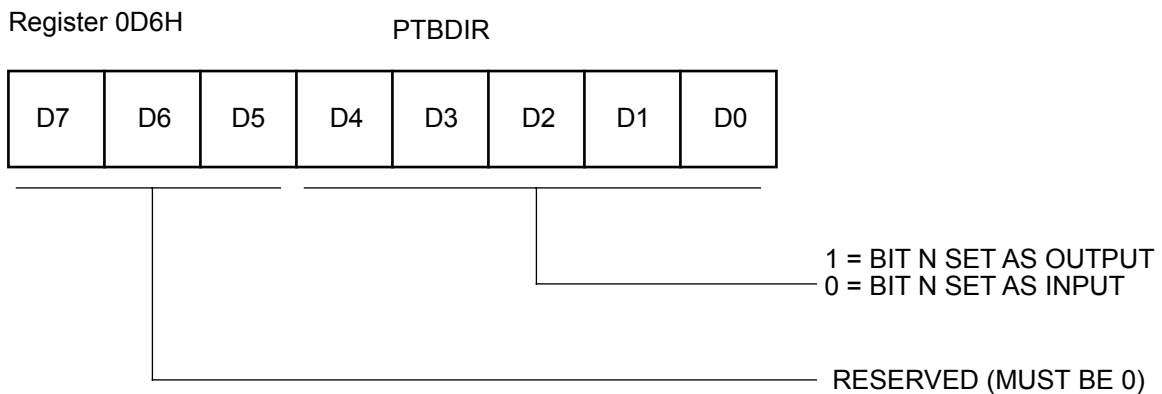


Figure 39. Port B Directional Control Register

PORT B CONTROL REGISTERS (Continued)

Register 0D7H

PTBSFR

D7	D6	D5	D4	D3	D2	D1	D0
----	----	----	----	----	----	----	----

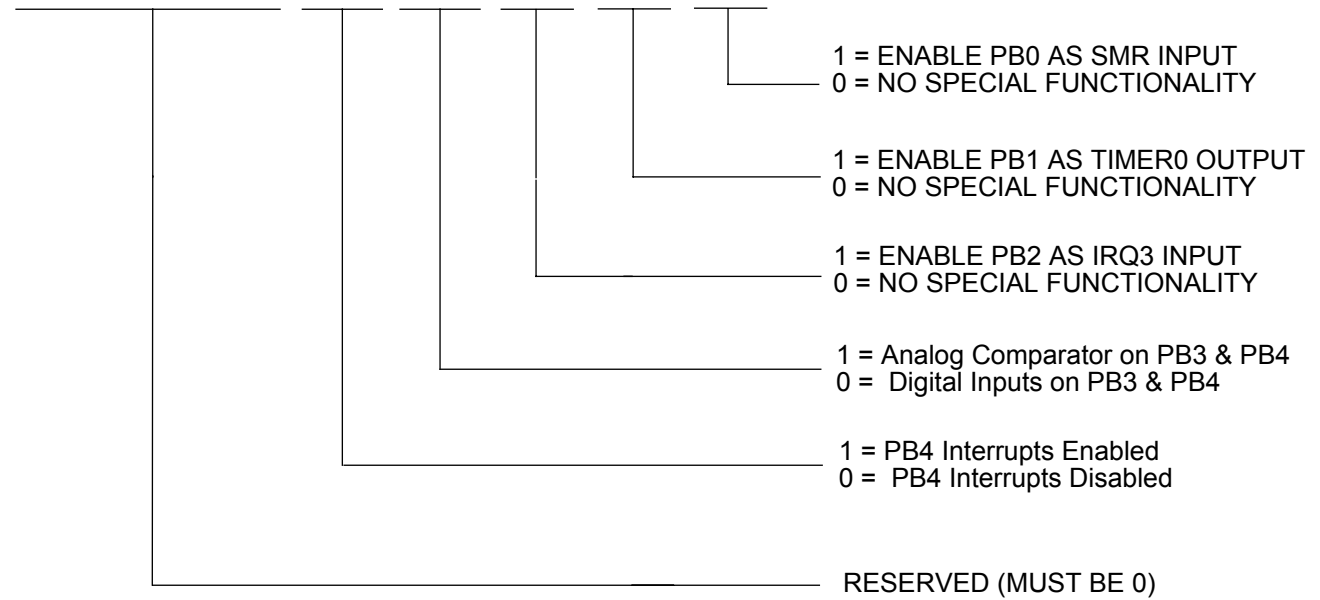


Figure 40. Port B Special Function Register

I/O PORT RESET CONDITIONS

Full Reset

Port A and Port B output value registers are not affected by RESET.

On RESET, the Port A and Port B directional control registers is cleared to all zeros, which defines all pins in both ports as inputs.

On RESET, the directional control registers redefine all pins as inputs, and the Port A and Port B input value registers

overwrites the previously held data with the current sample of the input pins.

On RESET, the Port A and Port B special function registers is cleared to all zeros, which deactivates all port special functions.

Note: The SMR and WDT timeout events are NOT full device resets. The port control registers are not affected by either of these events.

ANALOG COMPARATOR

The Z8E001 includes one on-chip analog comparator. Pin PB4 has a comparator front end. The comparator reference voltage is on pin PB3.

Comparator Description

The on-chip comparator can process an analog signal on PB4 with reference to the voltage on PB3. The analog function is enabled by programming the Port B Special Function Register bits 3 and 4.

When the analog comparator function is enabled, bit 4 of the input register is defined as holding the synchronized output of the comparator, while bit 3 retains a synchronized sample of the reference input.

If the interrupts for PB4 are enabled when the comparator special function is selected, the output of the comparator generates interrupts.

COMPARATOR OPERATION

The comparator output reflects the relationship between the analog input to the reference input. If the voltage on the analog input is higher than the voltage on the reference input, then the comparator output is at a High state. If the voltage on the analog input is lower than the voltage on the reference input, then the analog output will be at a Low state.

Comparator Definitions

V_{ICR}

The usable voltage range for the positive input and reference input is called the common mode voltage range (V_{ICR}).

Note: The comparator is not guaranteed to work if the input is outside of the V_{ICR} range.

V_{OFFSET}

The absolute value of the voltage between the positive input and the reference input required to make the comparator output voltage switch is the input offset voltage (V_{OFFSET}).

I_{IO}

For the CMOS voltage comparator input, the input offset current (I_{IO}) is the leakage current of the CMOS input gate.

HALT Mode

The analog comparator is functional during HALT Mode. If the interrupts are enabled, an interrupt generated by the comparator will cause a return from HALT Mode.

STOP Mode

The analog comparator is disabled during STOP Mode. The comparator is powered down to prevent it from drawing any current.

INPUT PROTECTION

All I/O pins on the Z8E001 have diode input protection. There is a diode from the I/O pad to V_{CC} and V_{SS} (Figure 41).

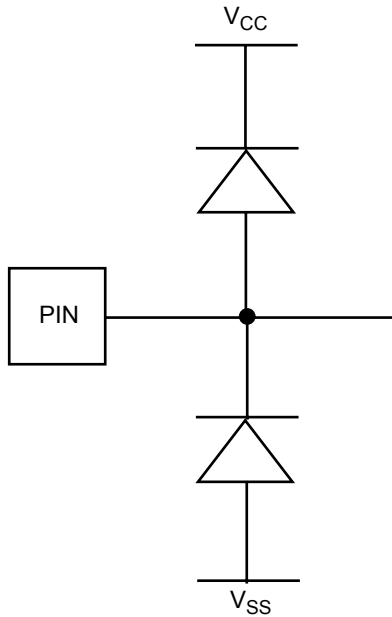


Figure 41. I/O Pin Diode Input Protection

However, on the Z8E001, the RESET pin has only the input protection diode from pad to V_{SS} (Figure 42).

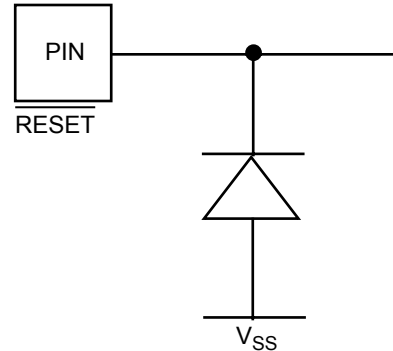
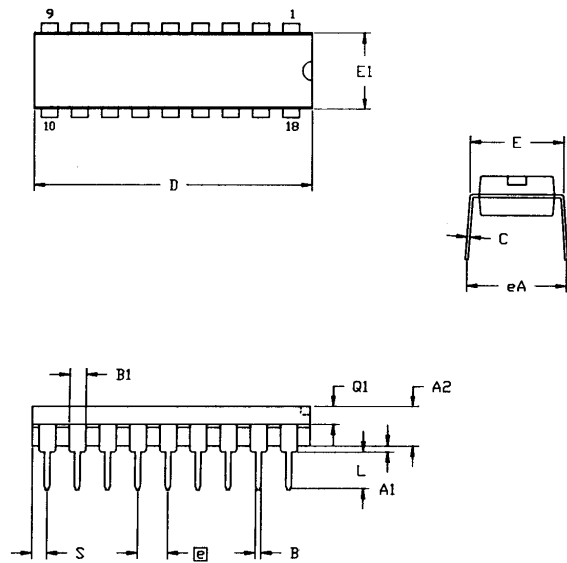


Figure 42. RESET Pin Input Protection

The high-side input protection diode was removed on this pin to allow the application of high voltage during the OTP programming mode.

For better noise immunity in applications that are exposed to system EMI, a clamping diode to V_{CC} from this pin can be required to prevent entering the OTP programming mode or to prevent high voltage from damaging this pin.

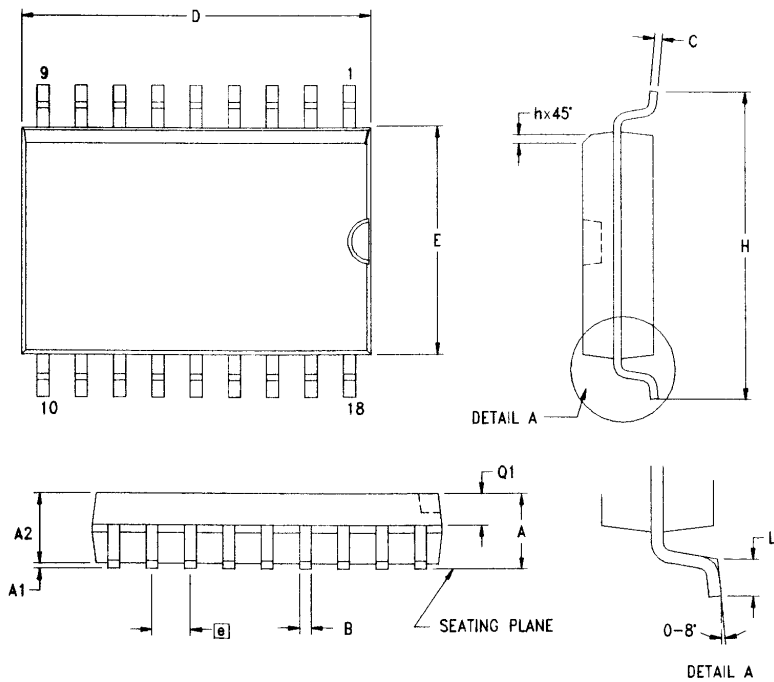
PACKAGE INFORMATION



SYMBOL	MILLIMETER		INCH	
	MIN	MAX	MIN	MAX
A1	0.51	0.81	.020	.032
A2	3.25	3.43	.128	.135
B	0.38	0.53	.015	.021
B1	1.14	1.65	.045	.065
C	0.23	0.38	.009	.015
D	22.35	23.37	.880	.920
E	7.62	8.13	.300	.320
E1	6.22	6.48	.245	.255
Ⓢ	2.54 TYP		.100 TYP	
eA	7.87	8.89	.310	.350
L	3.18	3.81	.125	.150
Q1	1.52	1.65	.060	.065
S	0.89	1.65	.035	.065

CONTROLLING DIMENSIONS : INCH

Figure 43. 18-Pin DIP Package Diagram

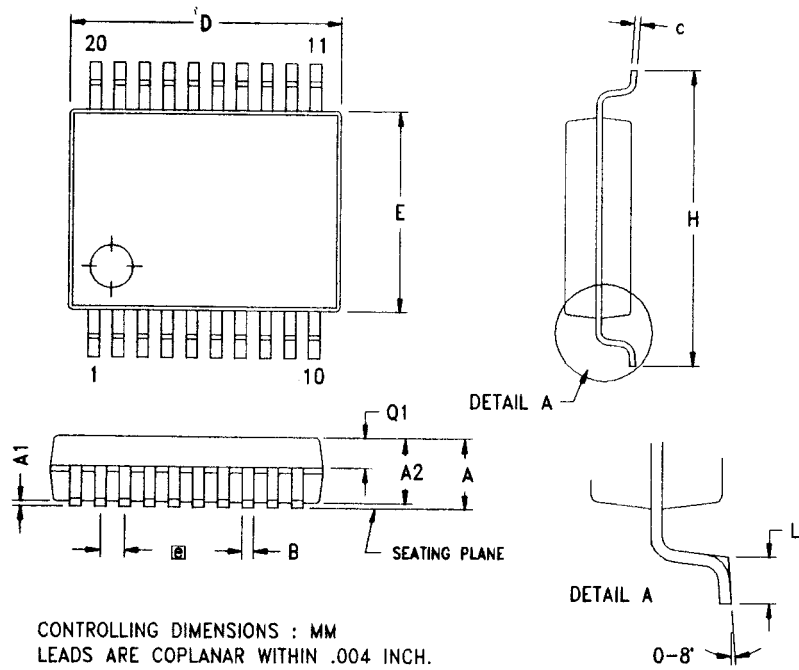


SYMBOL	MILLIMETER		INCH	
	MIN	MAX	MIN	MAX
A	2.40	2.65	0.094	0.104
A1	0.10	0.30	0.004	0.012
A2	2.24	2.44	0.088	0.096
B	0.36	0.46	0.014	0.018
C	0.23	0.30	0.009	0.012
D	11.40	11.75	0.449	0.463
E	7.40	7.60	0.291	0.299
Ⓢ	1.27 TYP		0.050 TYP	
H	10.00	10.65	0.394	0.419
h	0.30	0.50	0.012	0.020
L	0.60	1.00	0.024	0.039
Q1	0.97	1.07	0.038	0.042

CONTROLLING DIMENSIONS : MM
LEADS ARE COPLANAR WITHIN .004 INCH.

Figure 44. 18-Pin SOIC Package Diagram

PACKAGE INFORMATION (Continued)



SYMBOL	MILLIMETER			INCH		
	MIN	NOM	MAX	MIN	NOM	MAX
A	1.73	1.85	1.98	0.068	0.073	0.078
A1	0.05	0.13	0.21	0.002	0.005	0.008
A2	1.68	1.73	1.83	0.066	0.068	0.072
B	0.25	0.30	0.38	0.010	0.012	0.015
C	0.13	0.15	0.22	0.005	0.006	0.009
D	7.07	7.20	7.33	0.278	0.283	0.289
E	5.20	5.30	5.38	0.205	0.209	0.212
ⓐ	0.65 TYP			0.0256 TYP		
H	7.65	7.80	7.90	0.301	0.307	0.311
L	0.56	0.75	0.94	0.022	0.030	0.037
Q1	0.74	0.78	0.82	0.029	0.031	0.032

Figure 45. 20-Pin SSOP Package Diagram

ORDERING INFORMATION

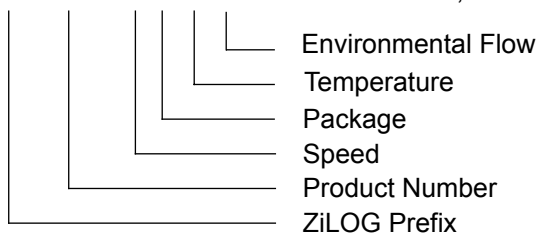
Standard Temperature	
18-Pin DIP	Z8E00110SSC
18-Pin SOIC	Z8E00110HSC
20-Pin SSOP	Z8E00110PSC
Extended Temperature	
18-Pin DIP	Z8E00110PEC
18-Pin SOIC	Z8E00110SEC
20-Pin SSOP	Z8E00110HEC

For fast results, contact your local ZiLOG sales office for assistance in ordering the part(s) required.

Codes	
Preferred Package	P = Plastic DIP
Longer Lead Time	S = SOIC
	H = SSOP
Preferred Temperature	S = 0°C to +70°C
	E = -40°C to +105°C
Speed	10 = 10 MHz
Environmental	C = Plastic Standard

Example:

Z 8E001 10 P S C is a Z86E001, 10 MHz, DIP, 0° to +70°C, Plastic Standard Flow



Pre-Characterization Product:

The product represented by this document is newly introduced and ZiLOG has not completed the full characterization of the product. The document states what ZiLOG knows about this product at this time, but additional features or non-conformance

with some aspects of the document may be found, either by ZiLOG or its customers in the course of further application and characterization work. In addition, ZiLOG cautions that delivery may be uncertain at times, due to start-up yield issues.

Development Projects:

Customer is cautioned that while reasonable efforts will be employed to meet performance objectives and milestone dates, development is subject to unanticipated problems and delays.

No production release is authorized or committed until the Customer and ZiLOG have agreed upon a Product Specification for this project.

Low Margin:

Customer is advised that this product does not meet ZiLOG's internal guardbanded test policies for the specification requested and is supplied on an exception basis. Customer is cautioned that delivery may be uncertain and that, in addition to all other limitations on ZiLOG liability stated on the front and back of the

acknowledgement, ZiLOG makes no claim as to quality and reliability under the document. The product remains subject to standard warranty for replacement due to defects in materials and workmanship.

©1999 by ZiLOG, Inc. All rights reserved. Information in this publication concerning the devices, applications, or technology described is intended to suggest possible uses and may be superseded. ZiLOG, INC. DOES NOT ASSUME LIABILITY FOR OR PROVIDE A REPRESENTATION OF ACCURACY OF THE INFORMATION, DEVICES, OR TECHNOLOGY DESCRIBED IN THIS DOCUMENT. ZiLOG ALSO DOES NOT ASSUME LIABILITY FOR INTELLECTUAL PROPERTY INFRINGEMENT RELATED IN ANY MANNER TO USE OF INFORMATION, DEVICES, OR TECHNOLOGY DESCRIBED HEREIN OR OTHERWISE.

Except with the express written approval of ZiLOG, use of information, devices, or technology as critical components of life support systems is not authorized. No licenses are conveyed, implicitly or otherwise, by this document under any intellectual property rights.

ZiLOG, Inc.
910 East Hamilton Avenue, Suite 110
Campbell, CA 95008
Telephone (408) 558-8500
FAX 408 558-8300
Internet: <http://www.zilog.com>